

# REMOVABLE 8" SPLASH WRAP FOR EXISTING DROP-IN SINKS



Item #: \_\_\_\_\_ Qty #: \_\_\_\_\_  
 Model #: \_\_\_\_\_  
 Project #: \_\_\_\_\_

**FEATURES:**

Adapts easily to any existing Drop-In Sink (Must specify Drop-In Sink Model).  
 Mounting hardware provided.

**MATERIALS:**

16 Gauge, Type 304 Series Stainless steel.  
 Plastic hardware included.

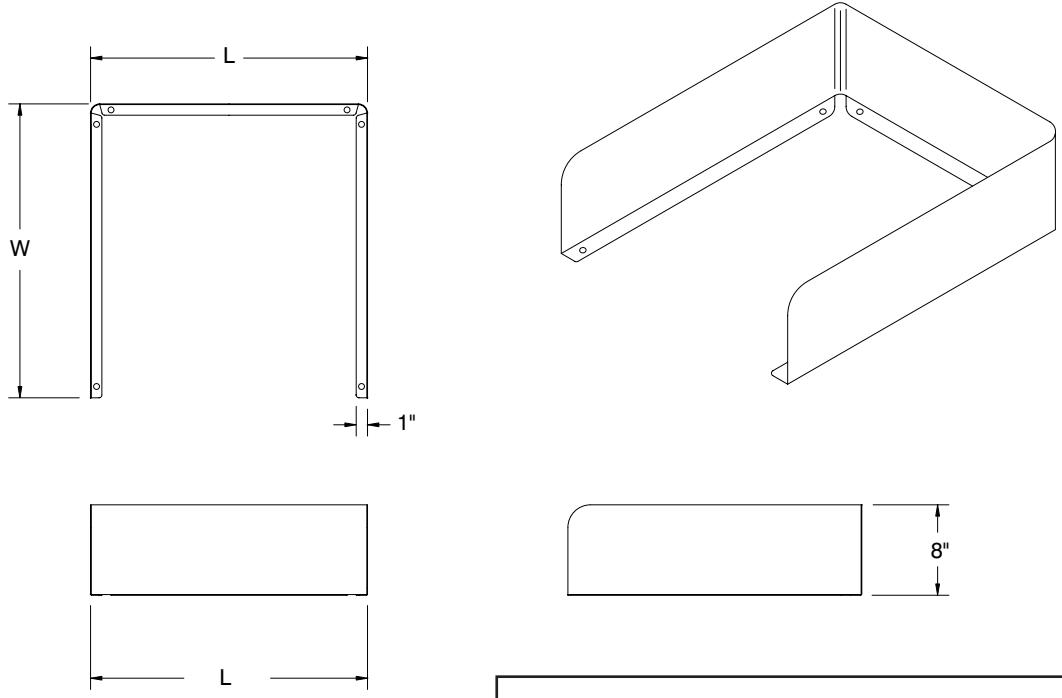
	K-614A	K-614B	K-614C	K-614D	K-614E	K-614F	K-614G
	L x W	L x W	L x W	L x W	L x W	L x W	L x W
<b>SPLASH O.A.</b>	14 1/2" x 15" 1/4"	15 1/2" x 20" 1/4"	17 1/2" x 16 1/4"	19 1/2" x 16 1/4"	21 1/2" x 20 1/4"	25 1/2" x 22 1/4"	33 1/2" x 26 1/4"
<b>FITS SINK MODEL:</b>	DI-1-25	DI-1-5, DI-1-10	DI-1-1515	DI-1-35	DI-1-168	DI-1-208, DI-1-2012	DI-1-2812

## DIMENSIONS and SPECIFICATIONS

TOL ± .125"

ALL DIMENSIONS ARE TYPICAL

**K-614**



**NOTE: Specify model of Drop-In Sink (See Above). For sinks not listed, must specify overall dimensions from outside of sink flanges (Edge of bowl opening for undermount sinks)**