



2 PIECE FREESTANDING INSTALLATION INSTRUCTIONS

READ AND SAVE THESE INSTRUCTIONS

Baths are assembled complete and ready for installation. Immediately upon receiving the bath and removal of packing, INSPECT the unit for freight damage. Any claims for damage, whether apparent or hidden, must be made to freight carrier immediately, in order for them to assume all associated costs. Should inspection reveal any defect in the finish, DO NOT INSTALL THE BATH. Claims of damage or defect to the finish after the bath is installed is excluded from the warranty. The warranty DOES NOT cover labor or materials to remove or re-install the bath.

1. Prior to Installation:

- Remove protective plastic and packaging and carefully inspect for any damage.
- Check tub for correct model name, size, color and trim finish.
- The tub MUST be tested while pump, electrical systems, and piping (plumbing) are accessible.
- If there are any issues, do not install and report the issues immediately to our factory or the authorized dealer.

CARE AND MAINTENANCE

Soap residues and mineral deposits are the enemies of your bathtub, particularly in areas where there is hard water. Cleaning your bathtub at regular intervals and using proper cleaning agents, can help your bathtub retain its original sparkling look. DO NOT USE abrasive cleaners, as these products will damage the bathtub surface and metallic finishes. A non-abrasive cleaner is recommended.

Your bathtub does not require the use of special cleaning agents or chemicals.

Normal cleaning is simple and easy. Just use warm water, a soft sponge and mild liquid detergent or non-abrasive cleaner to wipe the surfaces clean, then rinse thoroughly.

To preserve the surface finish, annual waxing is recommended. Use a high-grade paste-type automotive wax.

TECHNICAL SERVICE

1. Locate the product identification tag (located on bathtub near pump or overflow). This tag includes all pertinent information specific to your product, including the model, size, color, date of manufacture and ID number.
2. Write down all information and have it available when contacting the manufacturer.

The manufacturer maintains strict guidelines for field service and will require this information in order to facilitate your request and determine if a field service representative is required.

Warning: The unit does not contain any user serviceable parts. Any servicing should be performed by a qualified licensed service agent.

PRIOR TO INSTALLATION (figure 1)

Check to ensure that:

1. The installation will conform with all applicable Federal, State and Local Building Codes & Regulations;
2. The unit is the correct model and color;
3. There has been no shipping damage;
4. The "notice" or "warning" tags on the bathtub have been read and thoroughly understood;
5. The interior of the tub will be protected during installation;
6. Make sure sub floor is level.
7. Water test to make sure tub drains properly.

LEVELING THE UNIT

1. Inspect, clean, level, and prepare the floor for installation. (figure 1)
2. Set unit upside down on blanket or cardboard and level the legs by using a 2x4 or a level to adjust legs to level position. (figure 2)

(Make sure all legs are in contact with the ground, the bathtub MUST NOT be supported by the surround.)

Note: Drain and waste locations will vary by model.

3. Place the unit in the exact position on the floor, lining up the drain in the bathtub with drain pipe in the floor. (figure 3)
4. Separate the unit, leaving the surround of the tub in place. (figure 4)
5. Trace the outline of the interior and exterior of the surround with a pencil or erasable marker. (figure 5)
6. Turn the bathtub on its side using a blanket, cardboard or other clean protective surface to insure that the bathtub is properly supported and protected during the drain installation
7. Clean and dry the drain hole area of the bathtub in preparation of installing the drain body.

figure 1

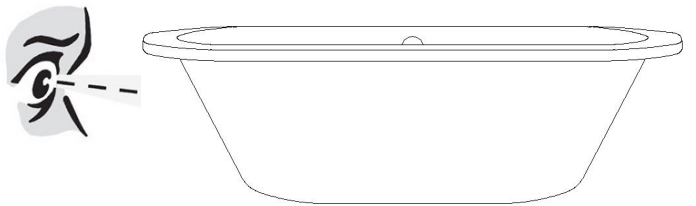
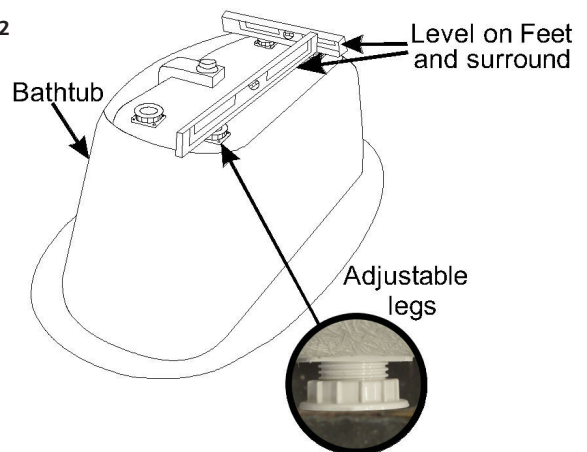


figure 2



2 piece freestanding tub installation

INSTALL DRAIN & TAIL PIECE HARDWARE

All parts involved in tail piece installation are provided by the installer. (figure 6).

7. Apply a bead of clear silicone or plumbers putty around the Drain Body and pass it through the drain hole (figure 3).
8. Apply plumbers putty to the rubber gasket and slide it over the bottom of the Drain Body (figure 3).
9. Slide the paper washer over the drain body.
10. Insert 1 1/2" rubber slip gasket into the drain waste vent (figure 6).
11. Attach the Drain Body Nut on the Drain Body and tighten until the Nut and Washer have created a seal with the bottom of the bathtub. DO NOT OVERTIGHTEN (figure 7).
12. Cut tail piece to desired length approx 2 to 3 inches pass the rubber gasket (will vary for each installation).
13. Connect tail piece assembly to drain body (figure 7).

figure 3

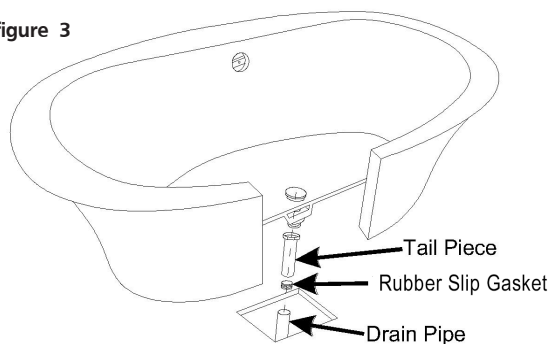


figure 4

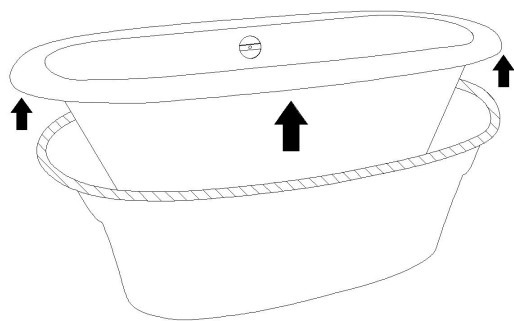


figure 5

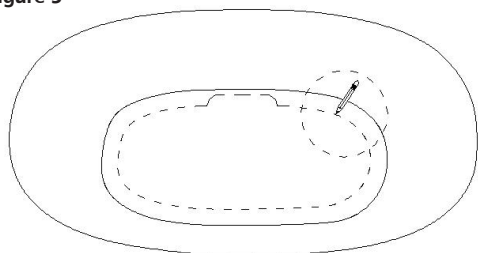
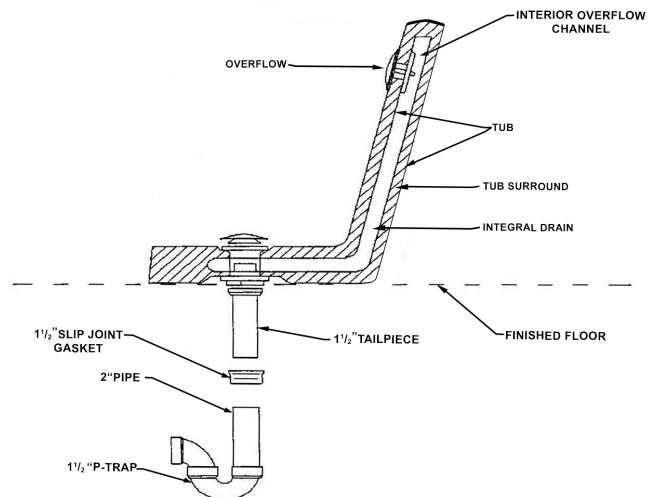
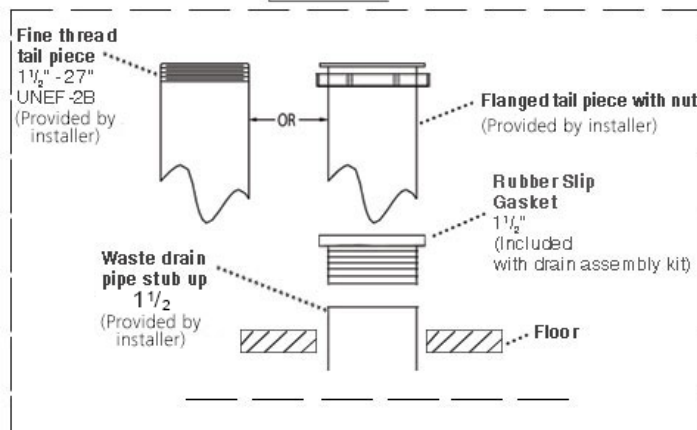
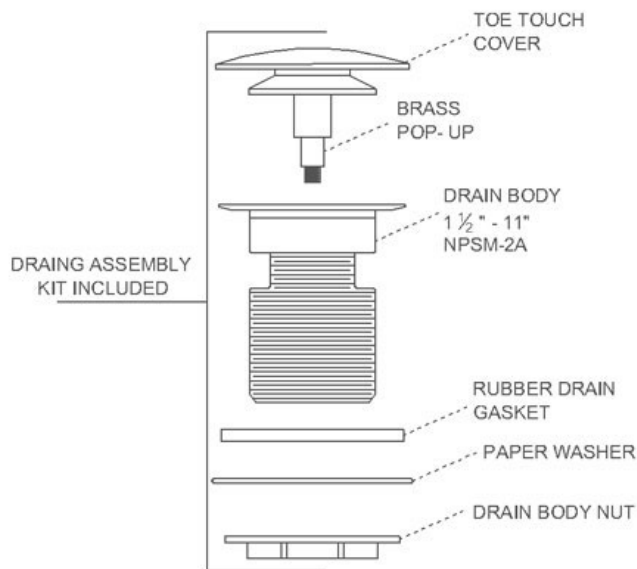


figure 6
(Integral Drain Hardware Shown)

Integral Drain / Pop up assembly



2 piece freestanding tub installation

figure 7

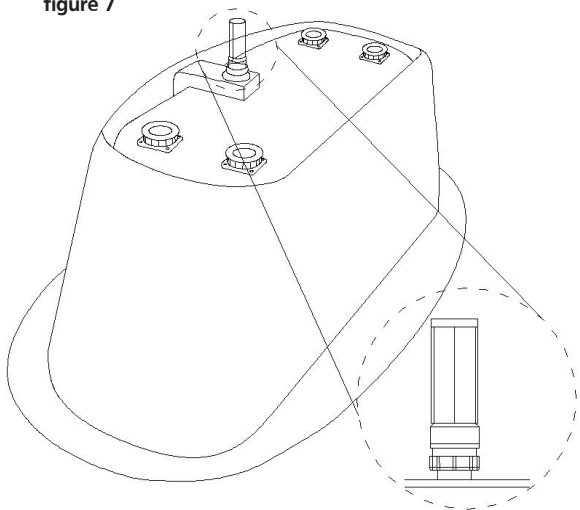


figure 8

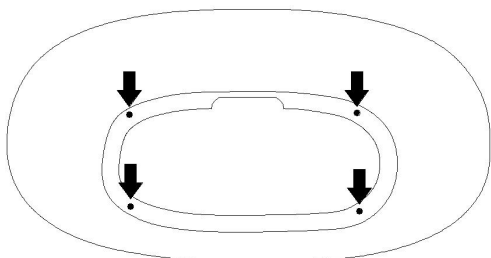


figure 9

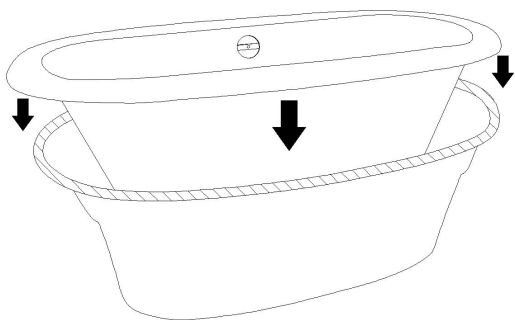
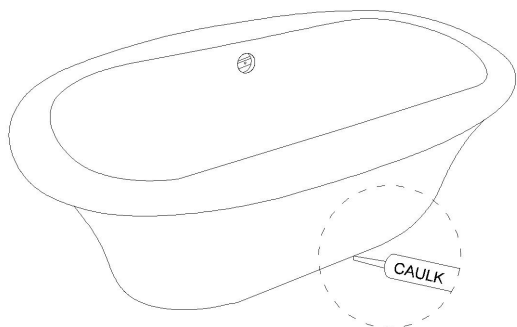


figure 10



INSTALL BATHTUB SURROUND

14. Drill four holes and secure surround to the floor as needed (figure 8).
15. **Carefully** set bathtub into surround and align the tail piece and drain with rubber slip gasket in the floor (figure 9).
16. Slowly set bathtub down onto the surround and into the rubber slip gasket and floor drain pipe (figure 9).

COMPLETE BATHTUB INSTALLATION

17. Fill the bathtub with water to the overflow and then drain the bathtub while inspecting the waste connections below the floor for leaks. Access from below may be necessary for this step.
18. Run a bead of **tub and tile caulk** around the bottom edge of the surround where it meets the floor. Wipe off any excess caulk with a wet cloth (figure 10).

INSTALL OVERFLOW HARDWARE

19. Place the Back Plate over the screw of the overflow cover (figure 11).
20. Align the Overflow Cover with the Bar (installed at the factory) in the overflow hole.
21. Carefully hand tighten the Overflow Cover until it stops. **DO NOT OVER TIGHTEN**

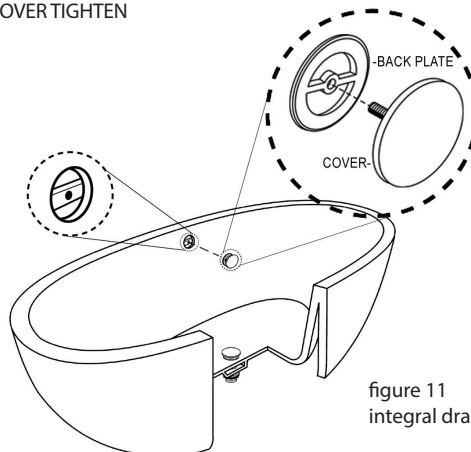
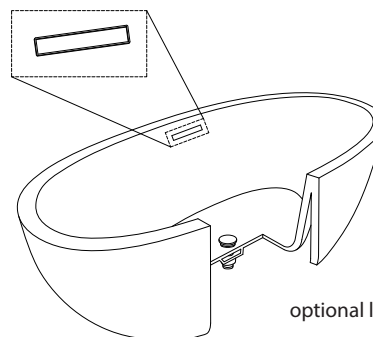


figure 11
integral drain

NOTE: If tub has optional linear overflow with plate (see below), the overflow plate is pre-installed at factory.



optional linear drain

2 piece freestanding tub installation

figure 12

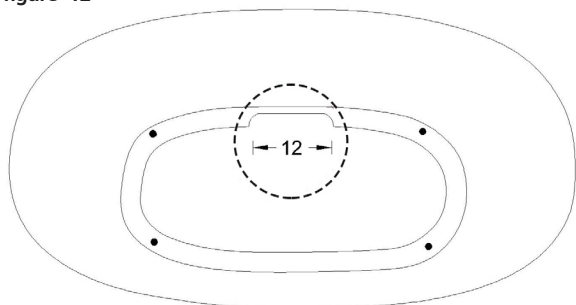


figure 13

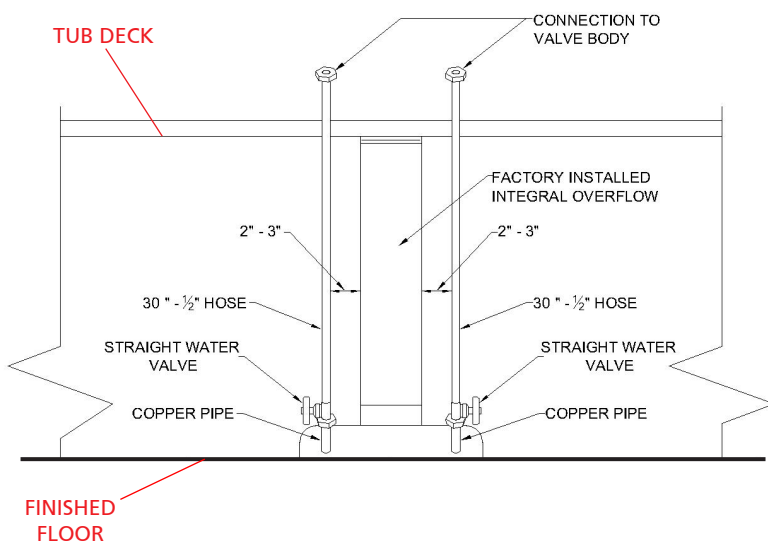
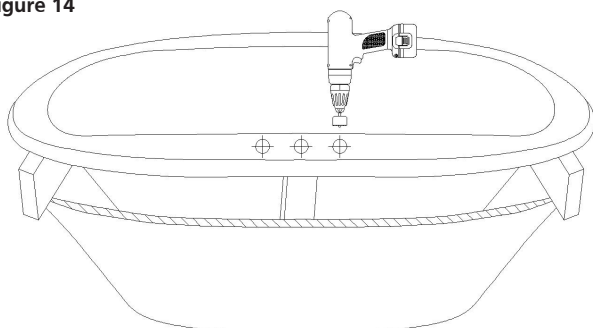


figure 14

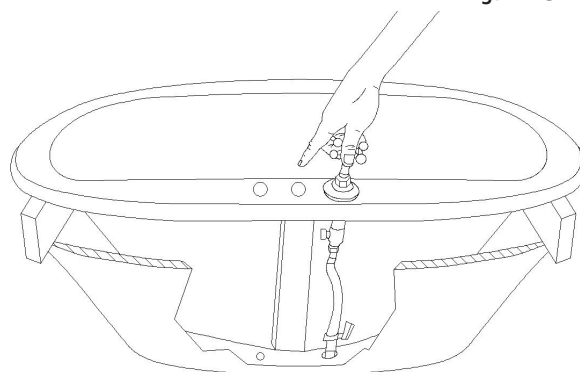


FAUCET INSTALLATION

Always follow the faucet manufacturer installation instructions.

1. Water supply must be installed in the intended 12" cut out area (figure 12).
2. Installing water supplies use (figure 13) for reference.
Faucet must be attached to a 30" x 1/2" hose for easy access.
3. Locate the position of the escutcheon before drilling to ensure that they will line up properly on the deck. Check to see if the valve body nut and washer will fit under the deck.
4. Carefully drill through the finish side of the tub deck.
5. After completion of the faucet installation turn the water on and check for leaks (figure 15).
6. Install bathtub, refer to page 5 of this installation booklet.

figure 15



in compliance with

ANSI Z124.1 - 1995 ANSI A112.19.7 - 1987
ANSI A112.19.8 - 1987



©10/16