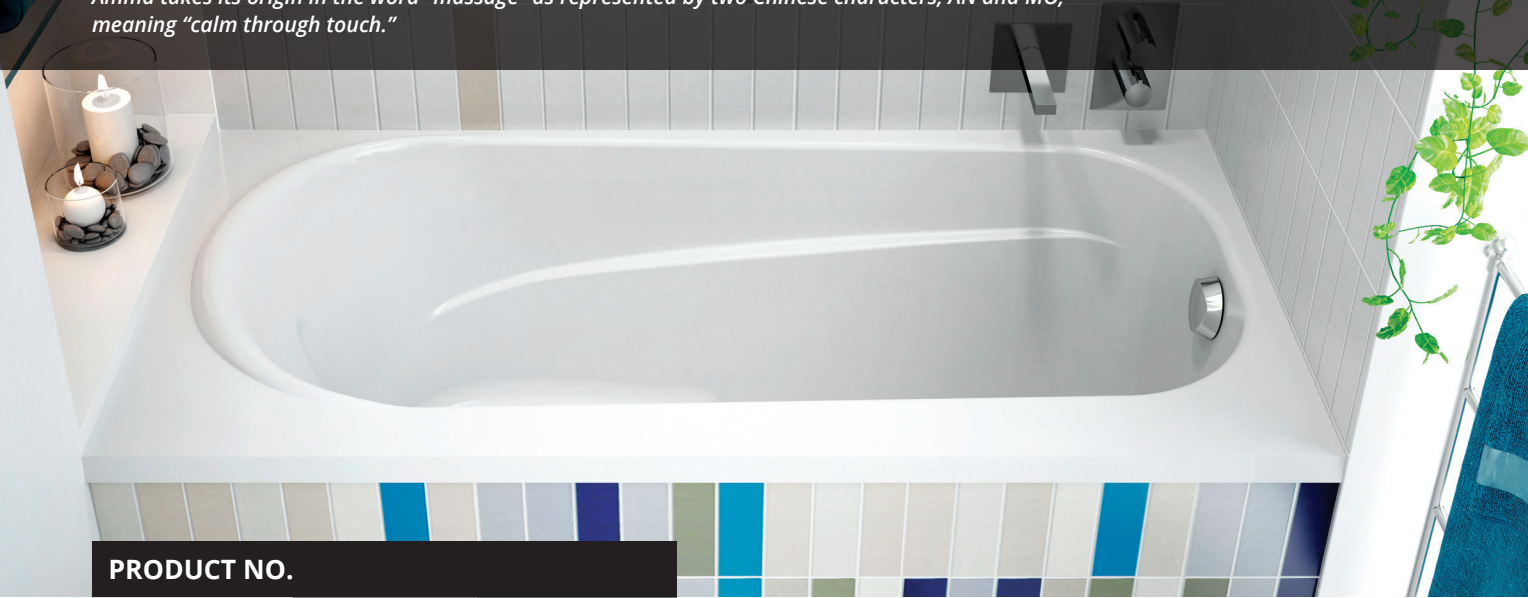


# AMMA 6030

60" x 30" x 21"

Amma takes its origin in the word "massage" as represented by two Chinese characters, AN and MO, meaning "calm through touch."



## PRODUCT NO.

DESCRIPTION	TMU	TUB
Alcove - Left	BAMBRA0LT-XX	BAMBRA0LN-XX
Alcove - Right	BAMBRA0RT-XX	BAMBRA0RN-XX

THERMOMASSEUR (TMU) Hydro-thermo massage • Air jet system	\$
Jets	43
1 heated backrest & headrest	Included
MiaPlus® Control	Included
Geysair®	Included
AromaCloud®** BAROMAC	\$
Illuzio Chromatherapy BCHRO6	\$

TUB Soaker	\$
AromaCloud®** BAROMAC	\$
Illuzio Chromatherapy BCHRO6	\$
WarmTouchShell® BWTS	\$
DOT control	Included with therapy

## FEATURES

Installation type	Alcove (3 walls)		
No. of bathers	1	Raised seat	1
US gallons	46	Inverted V	1
Imp. gallons	39	Integrated tile flange	Included

## STANDARD COLOR

White 01	Biscuit 02	Included
----------	------------	----------

## OPTIONS (UPCHARGE APPLICABLE)

### COLOR

Gray 05	\$
---------	----

### CONTROL (TMU only)

MiaMulti® BMIAM2-XX	\$
---------------------	----

SKIRT	MULTIFIT BSMUL-XX	SJ-1 BSJ1-XX
White 01, Biscuit 02	\$	\$
Gray 05	\$	\$

WASTE & OVERFLOW	16" x 35" BOVER16-XX	INTE- GRATED BOVERIN-XX
Chrome 07	\$	\$
White 01, Biscuit 02	\$	\$
Brushed Nickel 09, Polished Nickel 10	\$	\$
Oil-rubbed Bronze 11	\$	N/A
Black Chrome 12, Matte Black 19, Satin Brass 18	N/A	\$

### IF REQUIRED BY CONSTRUCTION CODE OR INSTALLED WITH ITD

Brass waste & overflow kit** BDRCOB	\$
Brass waste kit** BDRCB	\$
16" x 35" Cable driven Brass waste & overflow kit BOVERBR-XX	\$

💡 Don't forget that you must specify the waste position, right or left.  
 \* The AromaCloud® is built into the deck.  
 \*\* When ordered with integrated waste & overflow.

<b>TOTAL PRICE</b>	\$
--------------------	----



**AMMA 6030**



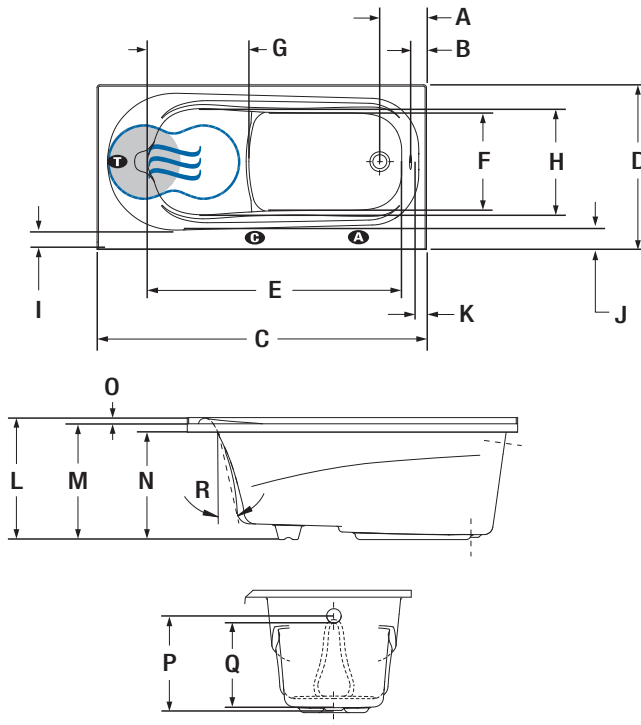
Raised seat



Molded heated headrest

**INSTALLATION**

**A** The AromaCloud® will automatically be installed on the opposite side of the tile flange.



LETTER	DESCRIPTION	MEASURE
A	Outside edge to center drain	8 1/2"
B	Outside edge to overflow	2 1/2"
C	Total length	60"
D	Total width	30"
E	Bathing well length	46 1/4"
F	Bathing well width at foot area	17 1/2"
G	Raised seat length	18 1/2"
H	Raised seat width	19 3/8"
I	Frontside deck width (narrowest point)	3 1/8"
J	Frontside deck width (widest point)	4"
K	Deck width at drain end	2 1/8"
L	Total height to headrest	22"
M	Height from bottom of tub to top deck	21"
N	Height from bottom of tub to bottom of lip	19 1/2"
O	Tile flange height	1 1/2"
P	Height from drain to center of overflow	17"
Q	Maximum water level	15 1/4"
R	Slope of backrest	16°

- A** AromaCloud® position
- C** Control position when factory-installed (Mia® or DOT)
- T** Turbine position (TMU)
- Indicates heated backrest (TMU)
- ☁ Indicates WarmTouchShell® position (TUB)

**TECHNICAL SPECIFICATIONS**

<b>Hot water supply required</b>	Should be 70% of water capacity of TUB or greater.
<b>Turbine</b>	Access to the pump must be at least 18" x 22". <b>Standard connection is 20 A, 120 V, 60 hz</b> , dedicated line with a Ground-Fault Circuit Interrupter (GFCI). <b>For any additional option, a second line is needed 15 A, 120 V, 60 hz</b> , dedicated line with a GFCI. Air vent necessary: 2" x 4" minimum.
<b>Other</b>	Integrated tile flange is included (specify right or left).

Our products must be installed by certified professionals only and according to our Owner's Manual as well as federal, provincial/state and local building codes and regulations ([www.bainultra.com/documentation/documentation](http://www.bainultra.com/documentation/documentation)).

<b>Approx. shipping weight</b>	134 lbs
<b>Turbine power</b>	550 W
<b>Air heater</b>	600 W
<b>WARRANTY</b>	
Controls-LED-Geysair*	5 years
Bath & turbine*	20 years

\* Some restrictions apply | [www.bainultra.com/warranty](http://www.bainultra.com/warranty)



The specifications shown indicate the outer edge dimension and the inside bathing capacity dimension measured at air jets' height. The manufacturer accepts a 1/4" [0.64 cm] variance. There are variations on each product and specifications are subject to change as we improve upon our product as required. The dimensions needed for site preparation and structure building will differ. BainUltra® assumes no responsibility for preparatory work done prior to the product being on site.