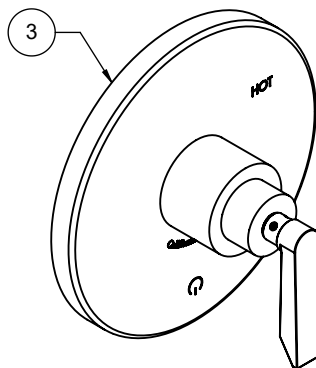
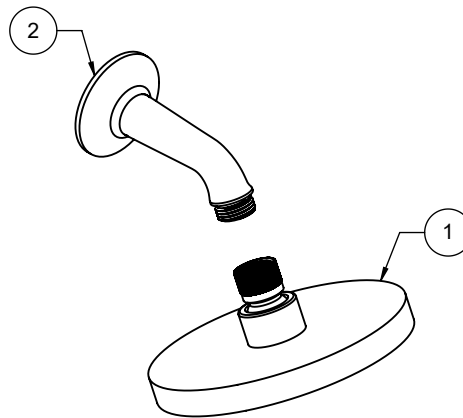


"ZZ" denotes finish, "FR" denotes flow rate

Item	Model	Description	Links
1	SH-081.FR-ZZ	5-5/8" Single-Function Showerhead	Specification Sheet
2	SH-01-ZZ	One Piece 4" Shower Arm & Flange	Specification Sheet
3	TO-PBL-45-ZZ	Pressure Balance Trim Only	Specification Sheet





California Faucets®

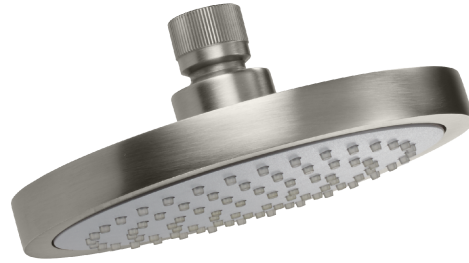
Showerhead

5-5/8" Diameter Single Function Contemporary

Features

- Available in 28 finishes including 13 PVD finishes
- All brass construction
- Gray spray face
- Self-cleaning rubber jets
- Replace .FR with desired max flow rate:
SH-081.25 for 2.5 gpm
SH-081.18 for 1.8 gpm

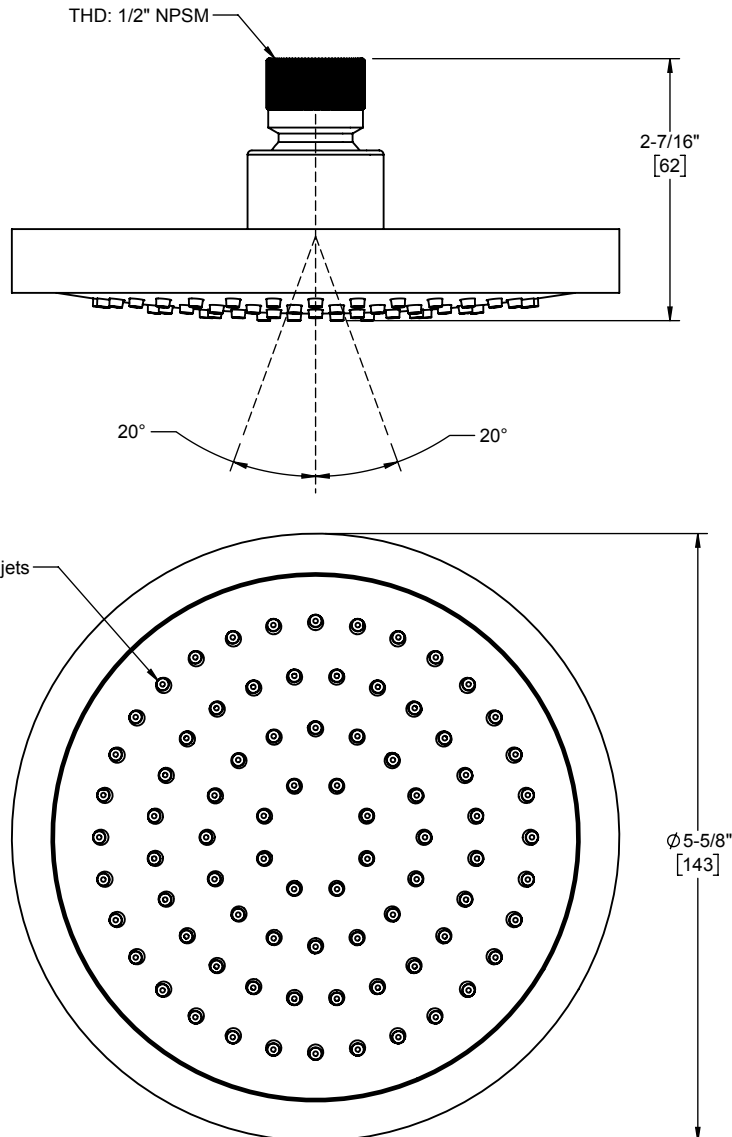
SH-081.25
SH-081.18

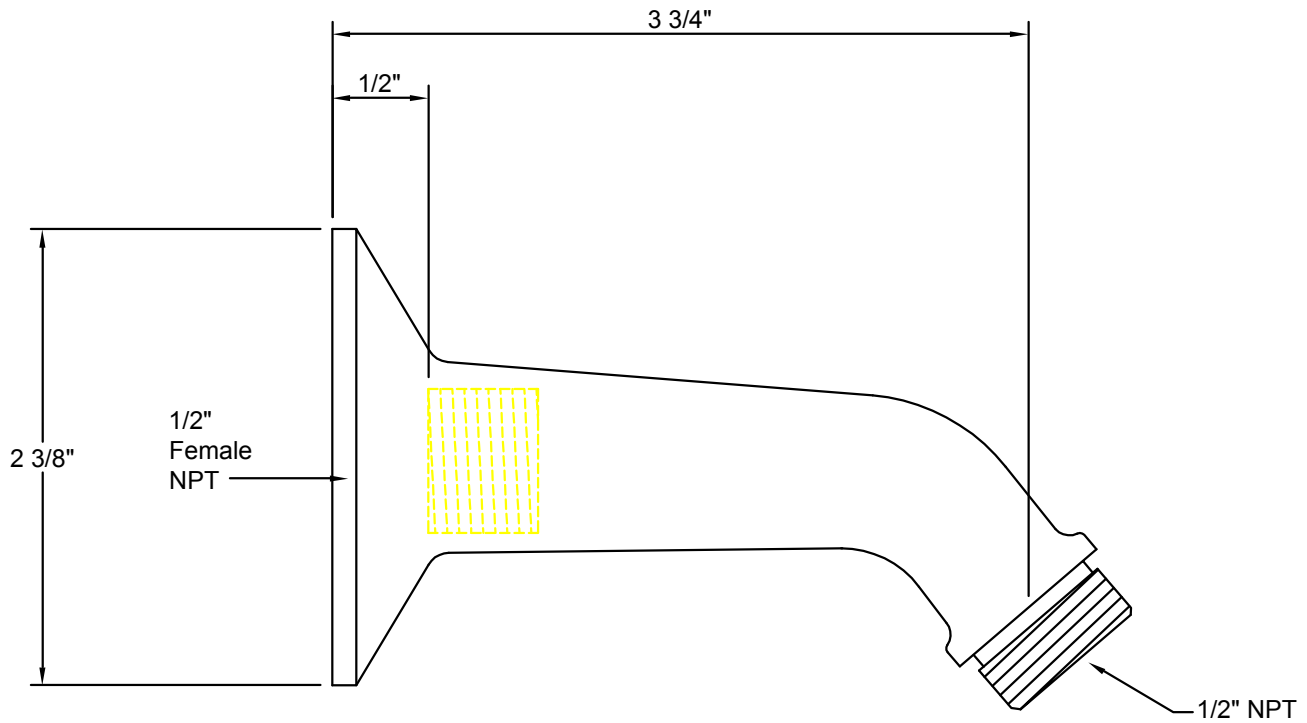


Codes/Standards Applicable

Product meets or exceeds the following:

- ASME A112.18.1/CSA B125.1
- CEC (1.8 gpm)
- DOE (2.5 & 1.8 gpm)
- Commonwealth of MA





A Division of
California Faucets

Decorative Trim for Bath & Kitchen
info@calfaucets.com
www.calfaucets.com

5231 Argosy Drive
Huntington Beach, CA 92649

Tel: 714-891-7797
Fax: 714-891-2478
Toll Free: 800-822-8855

Fixture:

SH-01

Revision date: April 1, 2005

Date: October 1, 2004

Scale: None

Drawn by: William Linares
william@calfaucets.com

Technical Supervisor: Joe Mainberger



California Faucets®

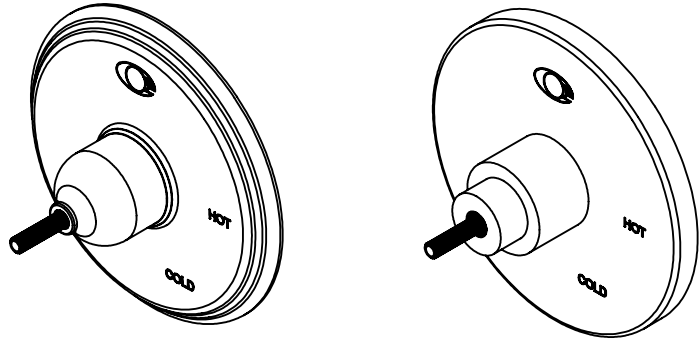
Pressure Balance™

1/2" Pressure Balance Valve Trim Only

Features

- Over 30 finishes including 11 PVD finishes
- All brass construction
- Traditional or contemporary escutcheon and screwless faceplate
- Handles to match all California Faucets series
See www.calfaucets.com for complete selection

TO-PBL-XX



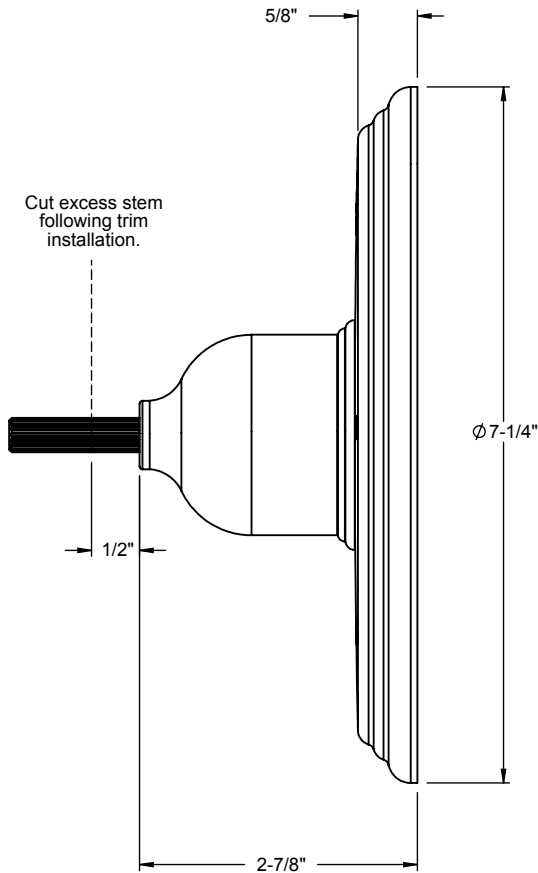
Codes/Standards Applicable

Specified model meets or exceeds the following:

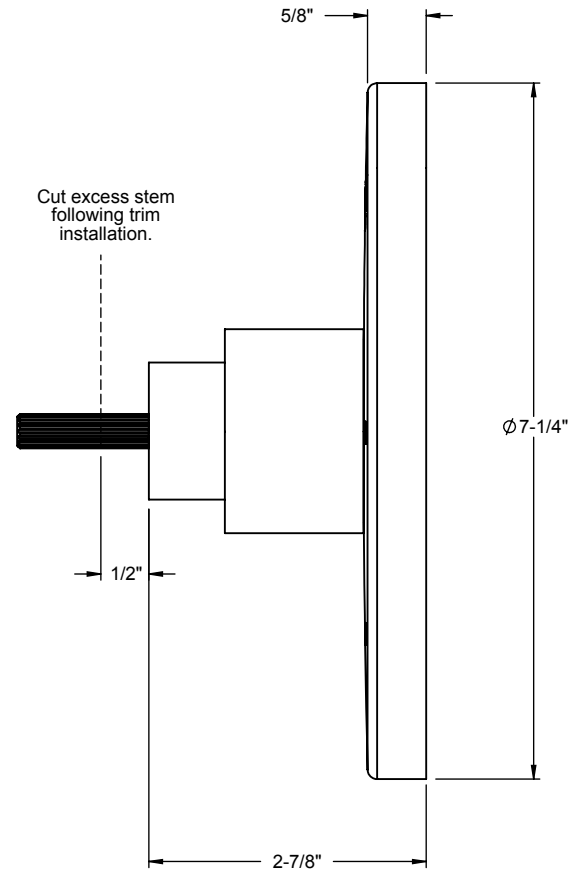
- ASME A112.18.1-2005/CSA B125.1-05
- ASSE 1016
- ADA (with lever handles)
- Listed IAPMO/cUPC®

XX = Series Handle

Traditional



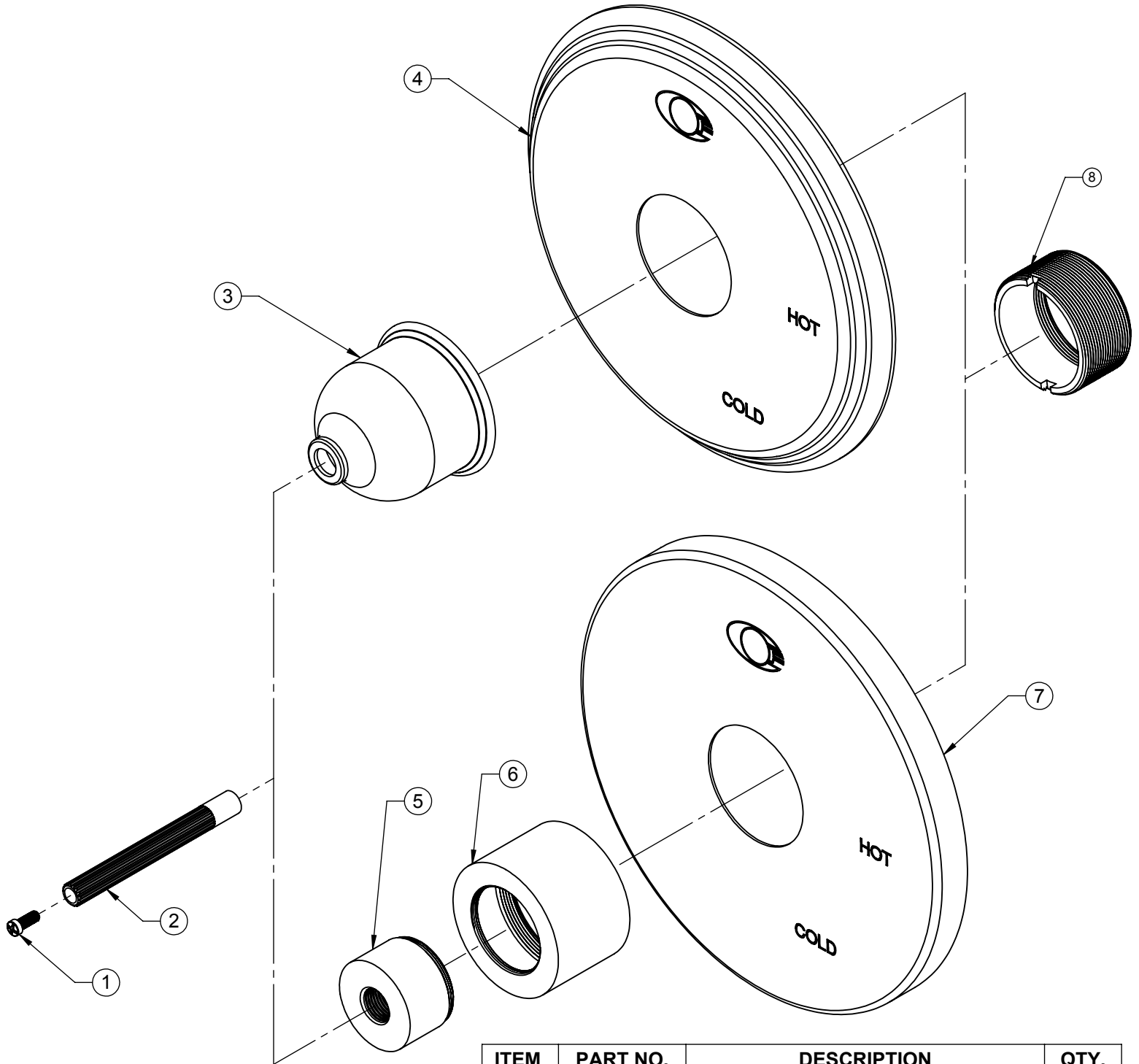
Contemporary



ALL DIMENSIONS SHOWN TO NEAREST 1/16"

Replacement Parts

TO-PBL-XX



ITEM	PART NO.	DESCRIPTION	QTY.
1	86078-90	SCREW,PH, M4X.07X10MM	1
2	881290-99	BROACH,16 PT. X 3-1/4"	1
3	10293-ZZ	ESCUTCHEON, TRAD, PBL	1
4	7-100105-ZZ	ASM, TRAD PB PLATE & GASKET	1
5	571380-ZZ	ESCUTCHEON, 57	1
6	10294-ZZ	ESCUTCHEON, CONT, PBL	1
7	7-100106-ZZ	ASM, CONT PB PLATE & GASKET	1
8	10292-98	BUSHING, PBL	1