



California Faucets®

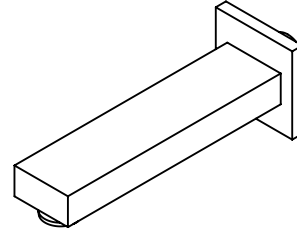
Morro Bay™

WALL TUB SPOUT

TS-77-77

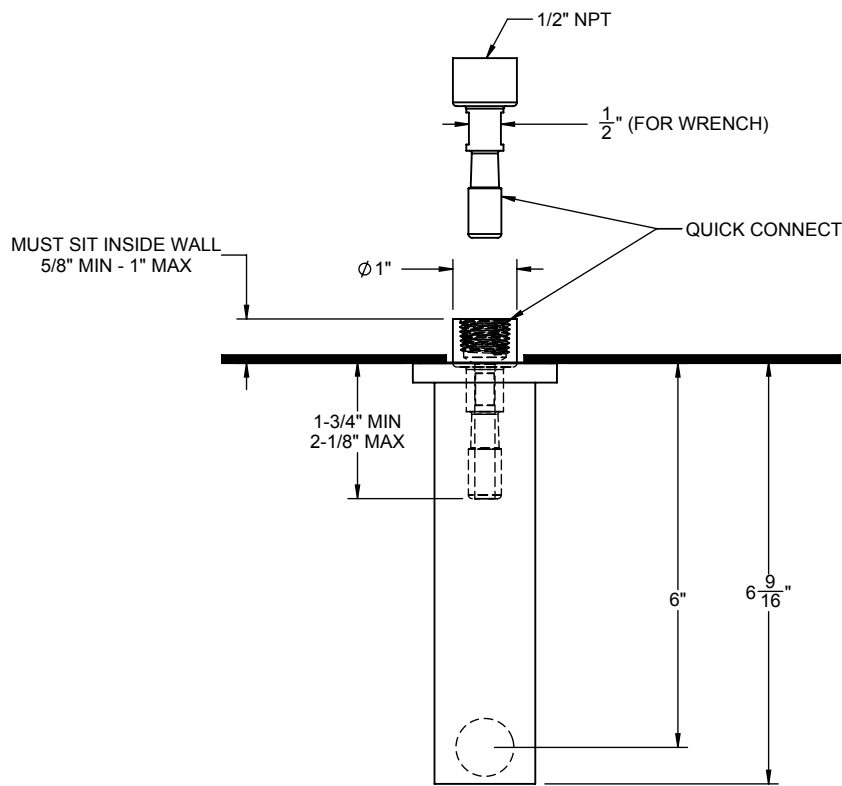
Features

- 6" wall to center
- Max flow rate: 10gpm (37.8 L/min)
- Quick connect
- For use with StyleTherm, 3-VR or 2-VR valves
- All brass construction
- Over 30 finishes including 15 PVD finishes



Codes/Standards Applicable

- Product meets or exceeds the following:
- ASME A112.18.1/CSA B125.1



THROUGH-HOLE SPECIFICATIONS		
MIN	RECOMENDED	MAX
Ø1"	Ø1-3/8"	Ø1-9/16"

