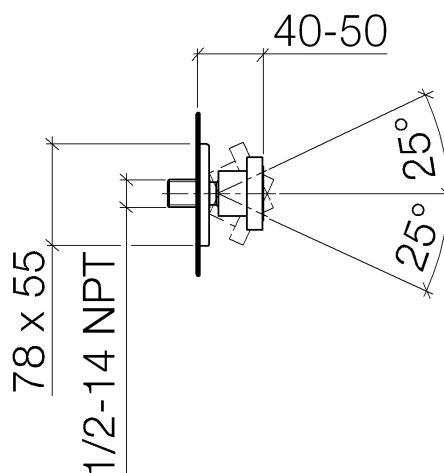




**Product specifications**

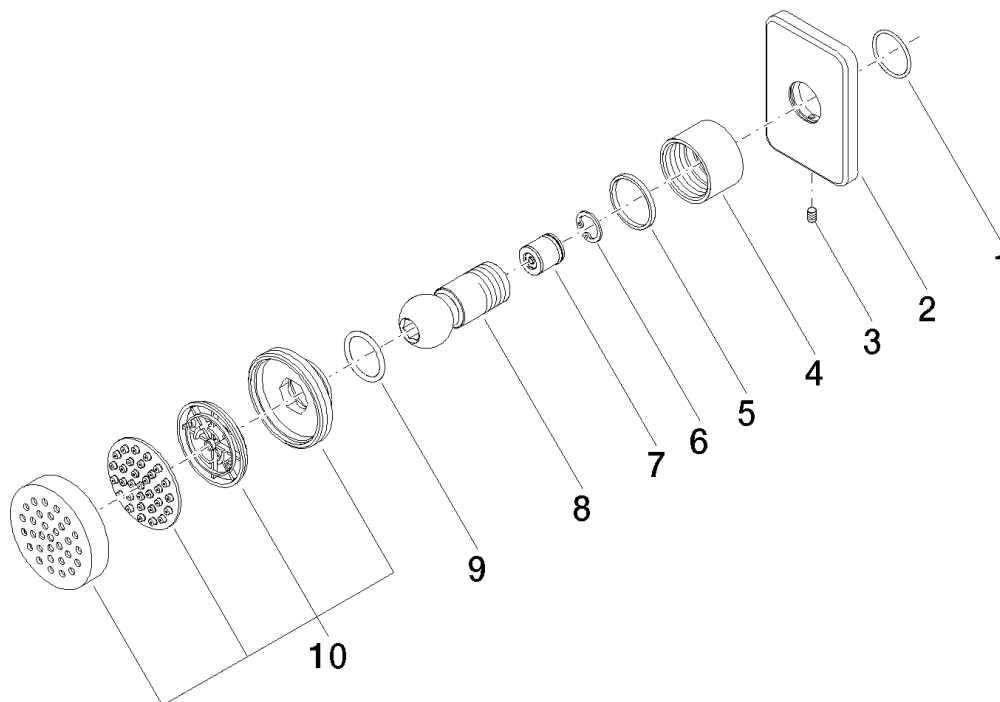
- Ø 2-1/8"
- swivels 25°
- Stream: Rain
- Descaling system
- Flange 3-1/8" x 2-1/8"
- 1/2" connection
- Water flow rate limited to max. 1.3 gpm



**Surfaces**

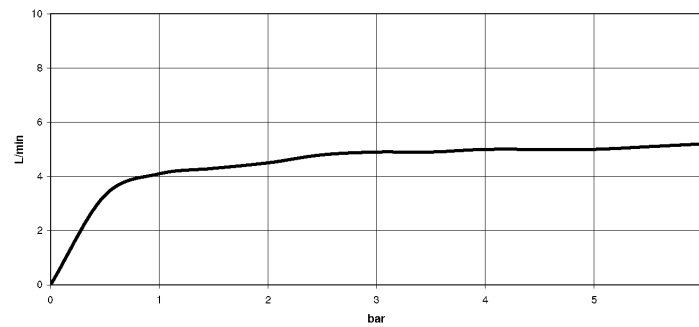
- chrome 28518710-00
- matt platinum 28518710-06

**Exploded assembly drawing**



**Order quantity**

<b>No.</b>	<b>Article number</b>	<b>Name</b>	<b>Installation quantity</b>
<b>1</b>	09141009890	seal	1
<b>2</b>	092771004ff	rosette	1
<b>3</b>	09311104890	pin	1
<b>4</b>	092330026ff	nut	1
<b>5</b>	09141501090	ring	1
<b>6</b>	09160101490	ring	1
<b>7</b>	09230104890	back-flow preventer	1
<b>8</b>	092140016ff	connection	1
<b>9</b>	09141001590	seal	1
<b>10</b>	90120502700ff	casing ( completely )	1



### Trajectory Diagram

