

ELKAY®

IMPORTANT CONSUMER INFORMATION

sinks + faucets

Care and Cleaning Instructions

A simple solution for day-to-day care of all of your stainless surfaces, Elkay® Stainless Butler™ cleans + polishes in one easy step. Simply spray on the no-drip gel, wipe off with a clean soft cloth and watch as the polishing micro-bubbles restore luster and leave a shiny finish.

Discover why the professional's choice for sinks and faucets is also the right choice to take care of all your home's stainless surfaces and accessories. Visit **byelkay.com** for more information or for a complete list of all domestic show-rooms in your area visit **elkayusa.com**.

LIMITED LIFETIME WARRANTY

Elkay warrants that all parts and finishes of its Elkay Residential brand faucets are free from defects in materials and workmanship for the life of the product, if purchased after 1996. This warranty covers the original consumer purchaser of the product only.

If the product should leak or drip during normal use, Elkay will provide, free of charge, a replacement cartridge. For other defects in material and workmanship, Elkay will, at its option, supply replacement parts (or if no longer available a comparable product). Elkay reserves the right to examine product in question and its installation prior to replacement.

What is not covered:

1. Damage caused by accident, negligence, misuse, abuse, improper installation or operation or failure to follow care or installation instructions enclosed with your product.
2. Damage occurring during shipment of the product (claims must be presented to the carrier).
3. Normal wear and tear.
4. Labor charges, costs of removal and reinstallation, and any damages to other property.
5. All industrial, commercial and business use whose purchasers are hereby extended a limited lifetime on mechanical parts and 5 years on finish.

What you must do to obtain warranty service:

Either write to Elkay, attention Customer Care, 2222 Camden Court, Oak Brook, IL 60523 or call 1-800-223-5529. Please provide date of purchase and installation, description of nature of the defect, and model or description of model and/or component part.

THIS LIMITED WARRANTY IS EXPRESSLY IN LIEU OF ANY OTHER WARRANTIES, EXPRESSED IMPLIED, ARISING BY LAW OR OTHERWISE, INCLUDING WITHOUT LIMITATION, ANY IMPLIED WARRANTY OF MERCHANTABILITY OR FITNESS FOR A PARTICULAR PURPOSE. THIS LIMITED WARRANTY MAY NOT BE ALTERED, VARIED, OR EXTENDED, EXCEPT BY A WRITTEN INSTRUMENT EXECUTED BY ELKAY. THE REMEDY OR REPAIR OR REPLACEMENT AS PROVIDED UNDER THIS LIMITED WARRANTY IS EXCLUSIVE. IN ON EVENT SHALL THE MANUFACTURER BE LIABLE FOR ANY CONSEQUENTIAL OR INCIDENTAL DAMAGES TO ANY PERSON, WHETHER OR NOT OCCASIONED BY NEGLIGENCE OF ELKAY, INCLUDING WITHOUT LIMITATION DAMAGES FOR LOSS OF USE, COSTS PROPERTY DAMAGE OR OTHER MONETARY LOSS.

Some states do not allow the exclusion or limitation of incidental or consequential damages or limitations on how long an implied warranty lasts, so the above limitations or exclusions may not apply. This warranty gives you specific legal rights and you may also have other rights which vary from state to state. This warranty covers product installed in the United States and Canada.

Elkay

elkayusa.com

2222 Camden Court
Oak Brook, IL 60523

Printed in U.S.A.
©2009 Elkay

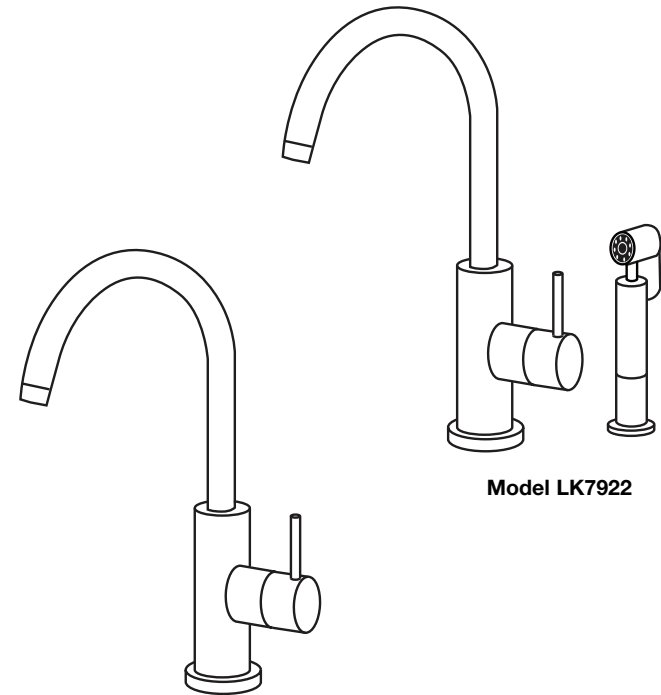
P99032

ELKAY®

Installation Instructions

sinks + faucets

**How to Install
Single Handle
Kitchen Faucets**



Model LK7921

Model LK7922

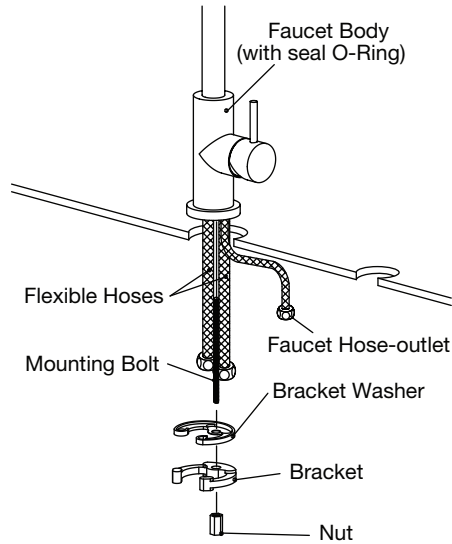
SAVE FOR CONSUMER

ELKAY • 2222 CAMDEN COURT • OAK BROOK, IL 60523

Installation Instructions for Single Handle Faucets With Spray (Model LK7922)

Faucet Installation:

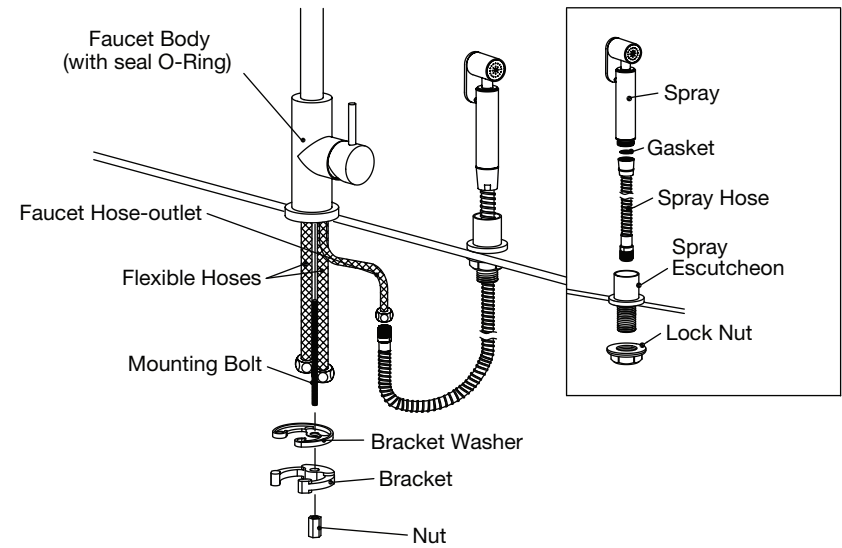
1. Insert flexible hoses and mounting bolt through deck hole in fixture.
2. Place bracket (with bracket washer) and nut onto mounting bolt, position faucet on fixture, then tighten nut securely.
3. Connect flexible hoses to supply stops.



Model LK7922

Spray Installation:

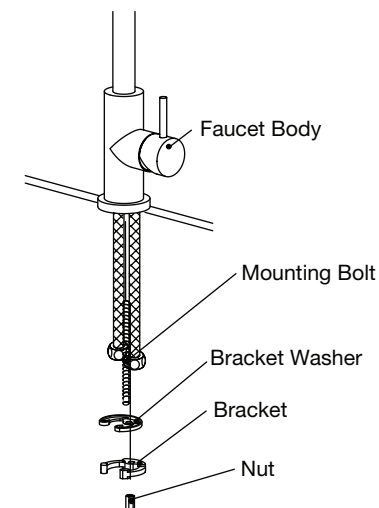
1. Remove the lock nut from the spray escutcheon first, then insert the spray escutcheon into the deck hole and tighten the lock nut to secure the spray escutcheon in place.
2. Assemble the spray with spray hose, then insert the spray hose through the spray escutcheon and connect the spray hose to faucet hose-outlet and tighten it.



Model LK7922

Installation Instructions for Single Handle Faucets Without Spray (Model LK7921)

1. Insert flexible hoses and mounting bolt through deck hole in fixture.
2. Place bracket (with bracket washer) and nut onto mounting bolt, position faucet on fixture, then tighten nut securely.
3. Connect flexible hoses to supply stops.



Model LK7921