

Two Handle Laundry Faucet

**Features:**

- Cast brass underbody, heavy chrome plated brass shell
- Metal handles with acrylic hot and cold index buttons
- Compression stems with renewable brass seats
- Working parts can be easily replaced
- 6" or 8" swing spout
- 4" centers for mounting
- 2.2gpm (8.3 L/min) @ 60 psi maximum aerator
- 1/2" NPSM supply connections with brass coupling nuts
- ADA compliant handles operate with less than 5 lbs. force

**Technical Specifications:**

- ASME A112.18.1M
- CABO/ANSI A117.1 (ADA)
- CSA B125
- ANSI/NSF 61-1997b

**Catalog Numbers:**

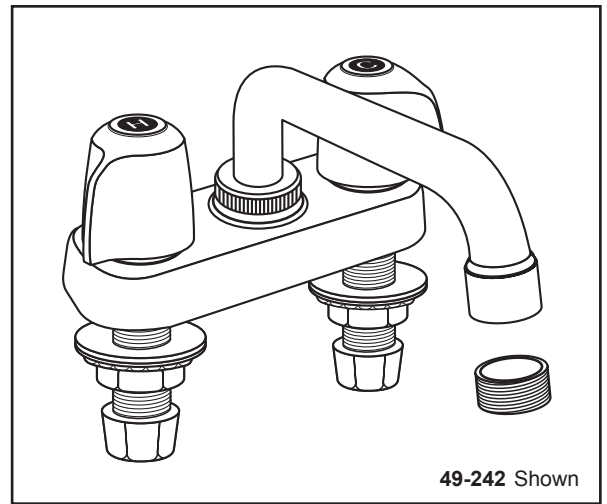
- 49-231 8" Spt, Aerator/IPS, Chrome
- 49-234 8" Spt, Hose Adapter/IPS, Chrome
- 49-241 6" Spt, Aerator/IPS, Chrome
- 49-242 6" Spt, Aerator/Hose/IPS, Chrome
- 49-244 6" Spt, Hose/IPS, Chrome

**Prefixes Available:**

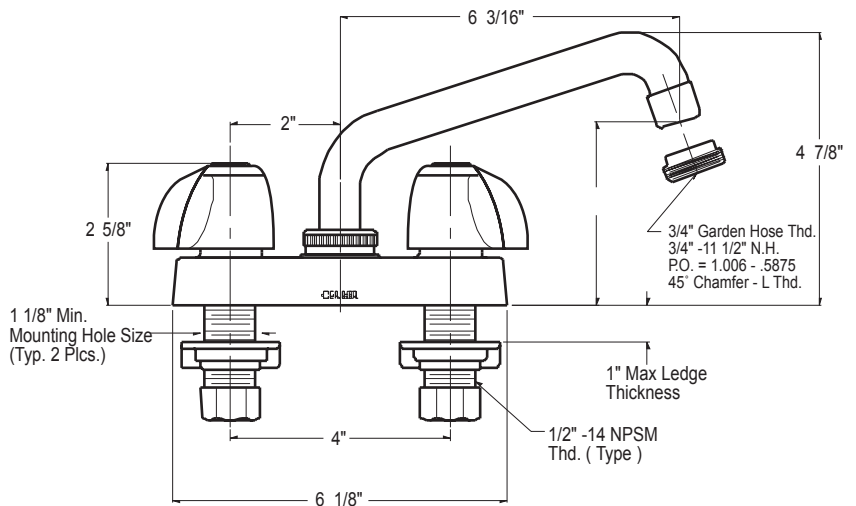
80- Washerless cartridge  
 For ceramic cartridges, less handles, see 59-980 series

**Suffixes Available**

None



49-242 Shown



Job Name	
Date	
Model Specified	
Quantity	
Customer	
Contractor	
Architect/engineer	

