

ADA Revive Collection

Topmount Single Bowl Model TADA-2220ST



TADA-2220ST

FEATURES

- Premium grade T-304 stainless steel
- 5", 5.5", 6", 6.5" depth
- 18 gauge • 3 or 4 holes
- StoneShield undercoating over Sound Deadening pad
- Lustrous satin with highlighted rim
- Fits 30 sink base
- 3-1/2" drain opening
- Supplied with cutout template, fasteners and instructions
- Complies with ASME A112.19.3-2008, cUPC®
- Lifetime Limited Warranty



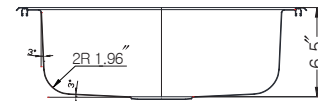
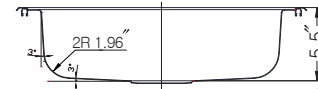
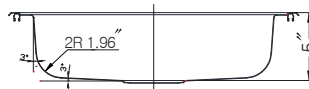
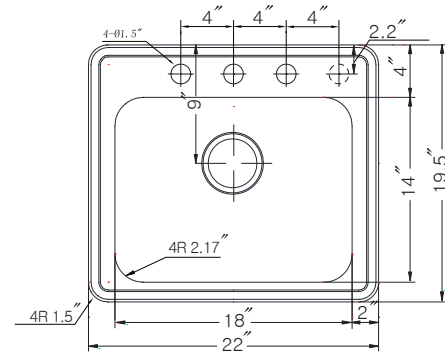
ASME A112.19.3-2008

TYPE 304
PREMIUM STAINLESS STEEL

SOUND
DEADENING PADS

StoneShield™
UNDERCOAT PROTECTION

Lifetime
Warranty



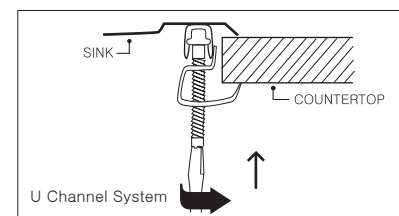
OPTIONAL ACCESSORIES

Strainer: BAS-2000-SS

OVERALL DIMENSIONS	EACH BOWL	CUTOUT SIZE	PACKAGING*	WEIGHT*
22" x 19.5"	18" x 14"	See Template	1/16/20 pcs.	11/216/220 lbs.

*Standard packaging: Single boxed /Pallet of single boxed/Pallet of bulk pack.
All dimensions are in inches. Specifications subject to change without notice.

Installation profile



Project/Job name _____

Architect/Engineer _____

Contractor _____

Model _____ Q'ty _____

Notes _____