



One Piece & Sectional ADA/Barrier Free Installation Instructions

36" ADA gelcoat & solid surface transfer showers
60" ADA gelcoat & solid surface roll-in showers

Tools & materials you might need for proper installation:

Materials

- 2- 50 lb bags of thin set
- 2- 5 gallon buckets
- 20- 1.25" wood screws
- 3- 8' 2x4
- 1- 24" piece of 2x4
- 2 large soft cloths (to cover the shorter 2x4 pieces)
- Wooden shims
- 1 tube of non-shrink construction adhesive
- Caulking gun
- 1- gallon of water for testing the draft of the drain

Tools

- Grout mixer
- 3/4" trowel
- Claw hammer
- Drill
- 1/8" drill bit
- Screwdriver
- Screwdriver attachment to match screws
- 4' level
- 2' level
- Torpedo level
- Caulking gun
- Black marker (to mark the threshold)
- Drain

Helpful hints for installation:

- 2- 5.5" pieces of PVC
These can be used to lay the product face down and roll it up to the framing pocket rather than sliding or picking it up.
- Please place cardboard from the carton into the bottom of the shower during installation to prevent damage to the finished surface.
- When placing shower into the frame pocket, you can use the handle of the hammer to align the pipe with the drain hole.
- When installing the sectional showers, certain units must have the horizontal grab bar removed separate the wall sections (see *Sectional Shower Units* section).

NOTE: INSTALLATION OF THESE SHOWER UNITS MAY BE SUBJECT TO CODE APPROVAL. Refer to job prints and/or consult with architect to see if your installation must comply with ADA.

These shower units install differently from typical residential showers. Installation may need to conform to requirements of the Americans With Disabilities Act (ADA) and other local codes. These requirements relate to the height of the threshold in relation to the finished floor. Certain showers will install directly on the sub floor and others will require a recess or pit. These showers require special preparation of the installation site, and very specific installation procedures to assure the shower drains properly and meets code requirements.

QUESTIONS? Please phone 800-443-7269, ext 310 for additional information.

STORAGE & HANDLING

Do not store units out of doors.- Keep out of sunlight and exposure to weather:

1. Most handling damage is the result of impact blows to the back side of the shower units.
2. Stress cracks can develop when shipping boards are removed before unit is positioned for final installation in bathroom.
3. Placing objects inside of tub can cause scratches, abrasions or nicks to the finished surface.
4. Storing units outside right-side up can cause the sunlight to discolor the acrylic finish. Also, unit becomes unstable and is easily knocked over by wind or bumping.



One Piece & Sectional ADA/Barrier Free Installation Instructions

36" ADA gelcoat & solid surface transfer showers
60" ADA gelcoat & solid surface roll-in showers

5. The back side of the shower unit is not waterproof. Unit must be stored so that water will drain out of unit and not accumulate in any one spot. Water can permeate the back laminates and soak the glassed in wood supports causing bulges in the finished surface.
6. Never drag these units on any surface. Always transport the unit by hand using (2) people or a two-wheel dolly.
7. Never let these units drop from any height, not even an inch.
8. Never clean the shower finished surface with metal tools of any kind, including razors.

Very Important for Showers with Thresholds 2 Inches or Less: (See Figure 1) Shower stalls with thresholds of 2 inches or less must be stored and installed with care. During storage this unit should sit as it is received. It should be stored with a 2" x 4" block of some other type of material at each of the (4) points numbered above in the top view. These units do not have wooden bottoms to reinforce the floors as conventional showers have. By placing the unit on some type of blocking, the drain will not touch the floor. This will allow the draft of the floor to be maintained without the weight of the shower unit pushing the drain upward. The blocks should only be placed at the outside corner edges of the unit and should never be placed under the

middle of the threshold. This procedure should only be used during storage and not during installation.

SHOWER THRESHOLD STYLES

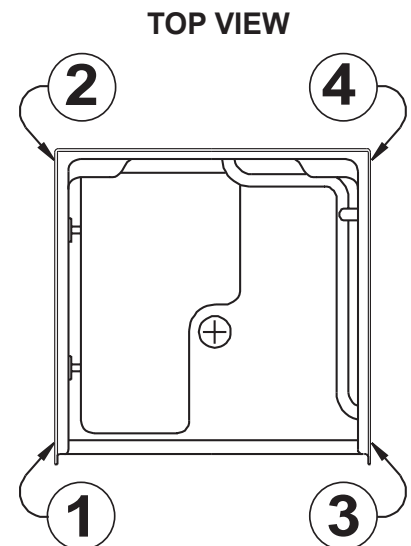
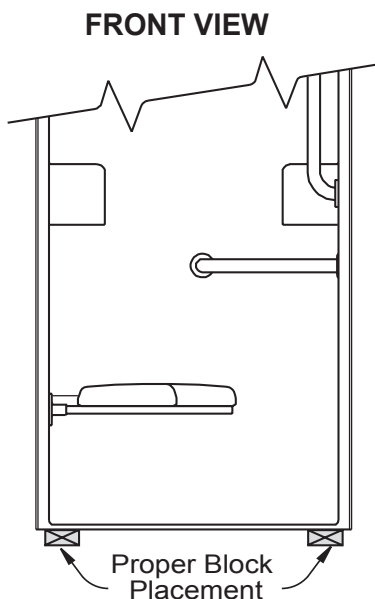
ADA style showers have very specific code requirements. Showers with an inside Dimension of 36" are referred to as "Transfer Showers". Wheelchairs may roll up to these showers, and the occupant may "transfer" onto the seat of the shower. Since these showers are not large enough to roll a wheelchair into, the threshold height requirement is permitted to be 1/2 inch 90 degree vertical.

Typically, these showers are installed directly on the sub-floor with no pit or recess. This style is illustrated in Figure 2.

ADA showers with a minimum inside Dimension of 60" wide x 30" in depth, are referred to as "Roll-In Showers". Typically, these showers have thresholds measuring between 3/4" and 2.0" tall. As the name implies, the shower must be installed so a person occupying a wheelchair may roll into the shower without restriction.

Code requires the top of the shower threshold to be even with the floor of the room at the shower entry. To accomplish this, either construct a recessed pit to place the shower in, or raise the floor of the room to meet the shower threshold. The depth of the recessed pit should be calculated so the finished floor is level with the top of the shower threshold. See Figure 3.

Figure 1





One Piece & Sectional ADA/Barrier Free Installation Instructions

36" ADA gelcoat & solid surface transfer showers
60" ADA gelcoat & solid surface roll-in showers

Every Barrier Free installation requires a 10 inch diameter x 1/2" deep recess around the drain core. (See Figure 4 & Picture 1) This depth is necessary to assure the factory manufactured slope to the drain is maintained. Even if your installation is not ADA compliant, you will always need the 10 inch x 1/2 inch deep recess around the drain. Thin set mortar must be used for support under all the installations.

In order to ensure proper draining of the unit, it is advised to:

1. Core drill a diameter of 10" at a minimum depth of 1/2" on a concrete surface.

OR

2. Box out a diameter of 10" at a depth of 1/2" around the drain pipe.

Following these instructions will allow the unit to drain properly. This is absolutely necessary to comply with product warranty requirements for proper installation.

RECESS INSTALLATION See Figure 5

This diagram illustrates a typical installation for showers that NO RECESS NECESSARY have vertical thresholds 3/4" to 2" high. The recess allows the shower to be installed below the finished floor level.

The recess is deep enough so the shower threshold will be at the acceptable height above the finished floor.

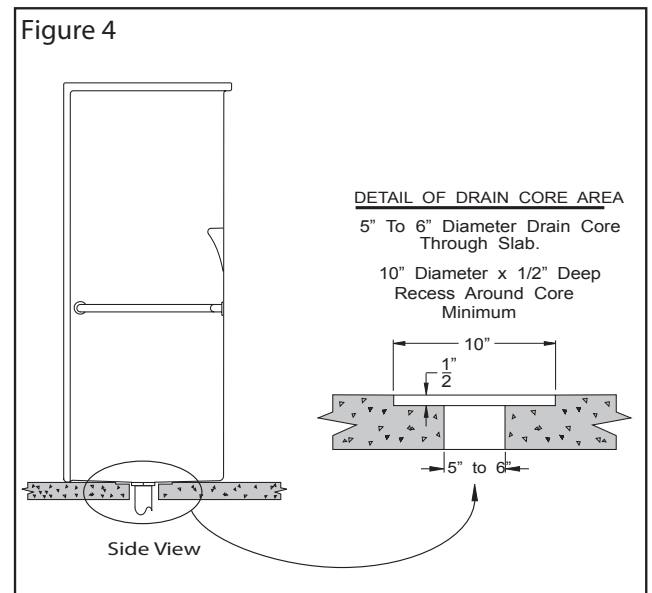
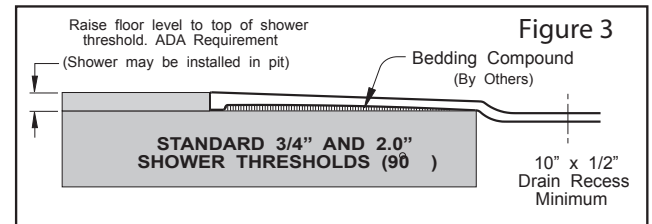
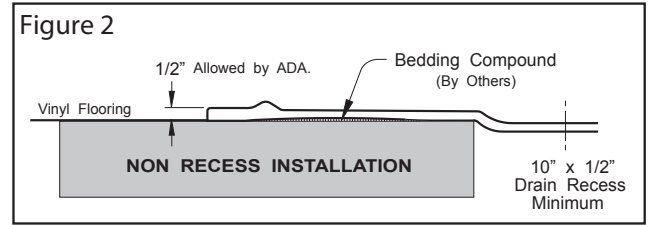
An alternative to the recessed installation is to either build up the entire room floor to be even with the top of the threshold, or to construct a ramp to the shower entry.

NO RECESS INSTALLATION See Figure 6

This diagram illustrates a typical installation for showers that do not require recessed installation to comply with ADA guidelines. This style shower is illustrated in Figure 2. They are for 36" x 36" inside dimension showers with vertical thresholds no higher than 1/2".

SHOWER FRAMING ENCLOSURE

Construct a framing enclosure for the shower you will be installing. To obtain shower dimensions and drain location, measure the shower you will be installing, view the dimensioned product drawing on the side wall of the shower, or use a dimensioned drawing provided by the contractor.





One Piece & Sectional ADA/Barrier Free Installation Instructions

36" ADA gelcoat & solid surface transfer showers
60" ADA gelcoat & solid surface roll-in showers

Shower dimensions are also available on the Praxis Companies Web Site: www.praxiscompanies.com
At the bottom of the page, click on the Brand Name of the product you are installing to access that specific web site for a drawing.

Review the *SHOWER FRAMING DIAGRAM* (*Figure 12*) of this manual. This illustrates a typical style shower enclosure. The framing may be wood studs or metal studs. When planning your enclosure, be sure to account for pit requirements, (if applicable). The use of a pit may need to be considered early in the construction process so the recess may be fabricated prior to any floor slab installation. Plan the location of the shower drain and water supply lines. Since ADA or Barrier Free code requirements may be in affect, certain shower units may require a specific location of the water control valve. Plan to route the water supply lines to account for these specific code requirements.

It is recommended when planning the framing enclosure, to construct the width 1/4" wider than the shower you are installing. This will provide "wobble room" should the shower be slightly over the width indicated in the dimensioned product drawing. Due to the nature of the materials involved, dimensions may vary +/- 1/2".

Take care when measuring and constructing the framing enclosure. Make certain the enclosure is square and plumb.

SECTIONAL SHOWER UNITS

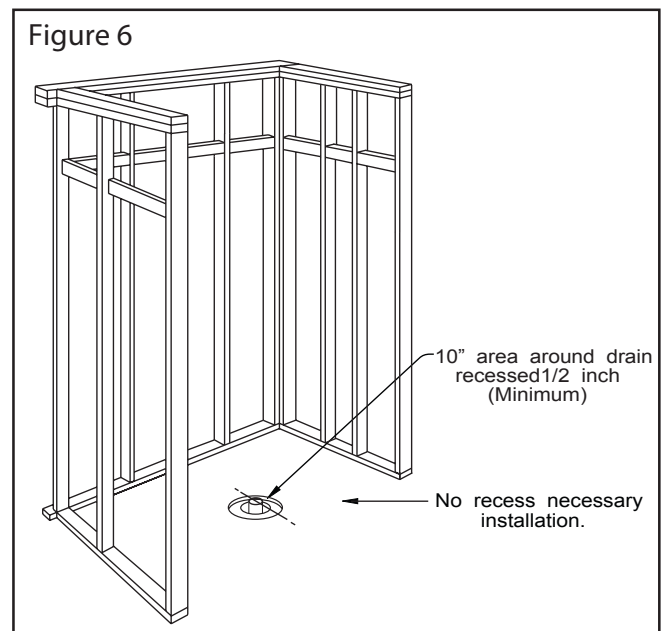
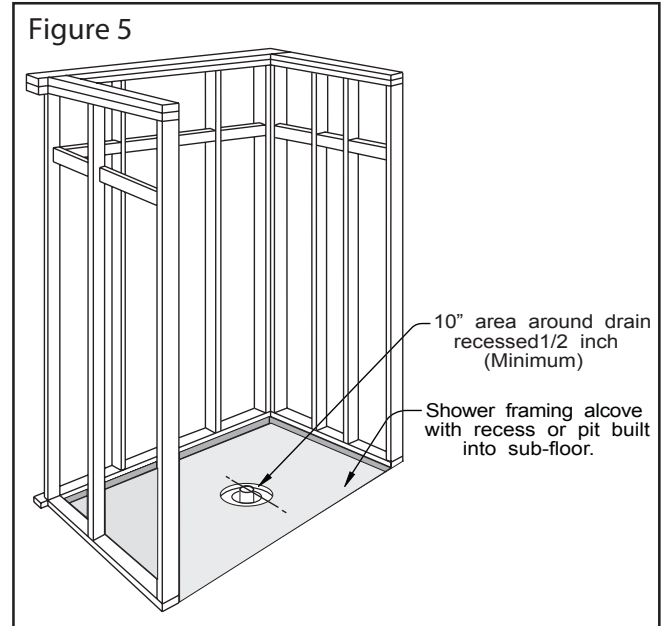
Sectional shower units must be disassembled before installation.

Follow the instructions below for important information when disassembling, moving, and reassembling the shower sections.

Shower model 3637 3P is shown as an example in *Figure 7* and *Figure 8*.

NOTE: Always handle the shower sections with care to avoid excessive flexing. Cracking the finished surface of the shower may occur if the parts are not handled carefully.

Sectional shower units **MUST** be disassembled so all seams may be caulked. Loosen and remove connection nuts and bolts.





One Piece & Sectional ADA/Barrier Free Installation Instructions

36" ADA gelcoat & solid surface transfer showers
60" ADA gelcoat & solid surface roll-in showers

Loosen and remove the grab bar that extends across the vertical seam in the back wall. See Figure 7.

NOTE: Only the grab bar across the vertical seam must be removed to disassemble the shower.

Set the grab bar aside. Carefully lift each wall section of the shower base. Apply a bead of 100% silicone caulk to one side of the vertical seam of the back wall, and along the top of the base where the wall sections will seat. See Figure 8.

Carefully lift each wall section and place back on the shower base. Reinstall the grab bar across the vertical seam. Hand tighten only at this point.

Carefully shift the wall sections until all seams are in alignment. Tighten all nut and bolt fasteners with tools along the horizontal base seam, and the vertical seam. Confirm seams are aligned as you tighten the fasteners.

Tighten nuts on the grab bar with tools.

Smooth caulking at seams and wipe away excess caulking before it cures.

The shower now may be installed as a one piece shower.

You may now proceed with the installation of the shower by following **SHOWER INSTALLATION** instructions.

QUESTIONS? Please phone 1.800.759.7744 ext: 29 for additional information.

Figure 7

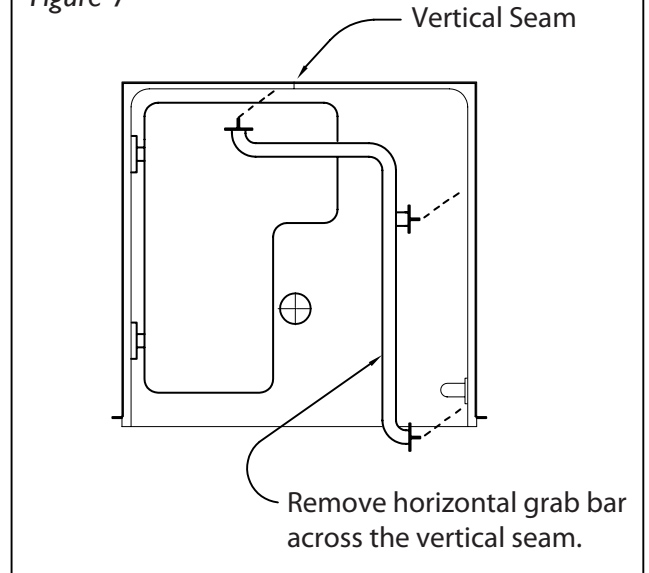
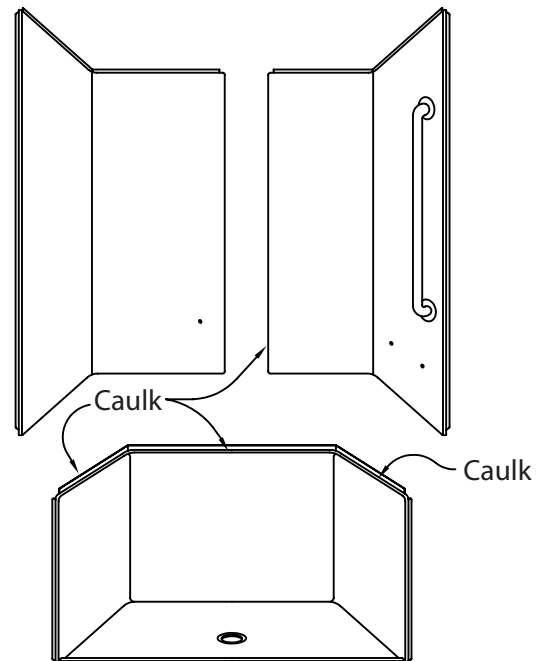


Figure 8



Separate all shower sections and caulk seams. Reassemble sections, tighten fasteners. Caulk holes and reinstall grab bar across seam before installing the shower.



One Piece & Sectional ADA/Barrier Free Installation Instructions

36" ADA gelcoat & solid surface transfer showers
60" ADA gelcoat & solid surface roll-in showers

SHOWER INSTALLATION

INSTALLATION VARIABLES: DO NOT USE THIN-SET WHEN TEMPERATURES MAY DROP BELOW FREEZING. FREEZING CONDITIONS WILL AFFECT ADHESION AND RESULT IN AN IMPROPER SHOWER INSTALLATION.

These instructions apply to all units whether they are installed directly on the floor slab or are recessed into a pit.

Note: We recommend that you conduct a demonstration requiring all installers to participate in for the first shower unit installation to insure the remainder are installed properly.

1. Carefully move the shower adjacent to the installation area. Use care to avoid excessive flexing to avoid cracking the surface. Transport with a hand cart or carry the unit. Never drag the shower along the ground or floor.
2. Remove protective wood strips and cardboard used for shipping purposes.
3. Carefully tilt shower against a stud wall and remove the shipping and handling blocks from the underside of the shower.
4. Install no-caulk drain fitting. Do not install drain until shower is to be immediately installed. The shower should never be stood up right on a at floor surface with drain attached. This will warp the shower and may void the warranty. (See Figure 9)
5. Prepare the drain pipe to receive the drain fitting.
6. Clean the installation area and underside of shower. Make sure the floor is free of grease, water and other contaminants that may affect adhesion.
7. Trial fit the shower in the framing enclosure. Carefully tilt the shower into the installed location. If installing into a pit, avoid dropping the shower. Level the shower and check the fit. Draw a line along the floor at the front of the shower. This will assist in locating the construction adhesive and mortar for the final installation. Note any adjustments to the framing at this time. Carefully remove the shower. Do not allow the shower to stand up on the drain fitting. If required, make adjustments to the framing.

Note: Trial fitting the unit before the wet adhesive and mortar is in place under the unit is a very worth while step. It is important to resolve any framing issues before the wet support materials are in place to avoid making a big mess of the project. Prepare to apply the Thin-Set mortar. Note the importance of applying the proper amount of Thin-Set.

To have a successful installation, the Thin-Set must be in Full Contact with the bottom of the shower. Do not apply an excessive amount of Thin-Set. The void under the shower can be greater than 1/2" to as little as 1/16" depending on the model, threshold height and job site conditions.

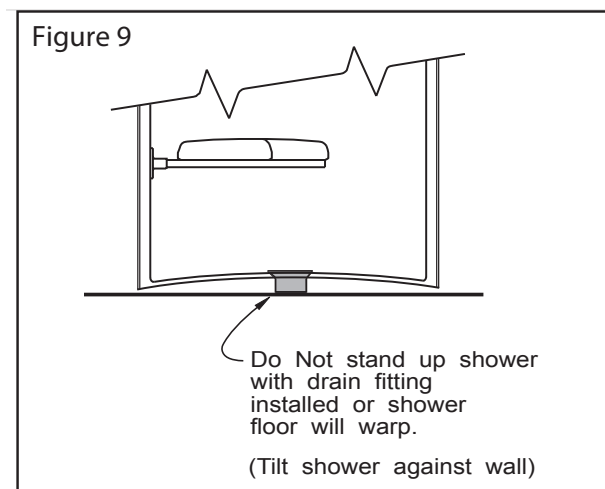
YOUR MISSION IS TO INSTALL PROPERLY AND MAINTAIN WARRANTY - FILL ENTIRE VOID BETWEEN BOTTOM OF UNIT AND SUB FLOOR. MAINTAIN FACTORY 2% SLOPE OR FALL TO THE DRAIN.

Excessive bedding compound will create high spots pushing the floor up causing the units to drain improperly.

8. Mix "Thin Set" non-shrinking bedding compound into a thin soup like slurry.

Praxis recommends Laticrete #317 for concrete floor applications, and Laticrete # 253 for wood floor applications.

9. (See Figure 10) Apply a 3/4" to 1" wide bead of 3M 560 polyurethane adhesive across the area of the sub-floor where the threshold will rest. This will assist in adhering the bottom of the threshold to the sub floor.





One Piece & Sectional ADA/Barrier Free Installation Instructions

36" ADA gelcoat & solid surface transfer showers
60" ADA gelcoat & solid surface roll-in showers

10. (See Figure 11, Pictures 2 & 3) Apply the "Thin Set" a shovel full at a time using a notched trowel estimating the amount needed to COMPLETELY fill the void between the floor and the unit. Use care not to disturb the bead of adhesive.

11. Stand shower up right. If necessary, place a hammer handle into the drain pipe to guide it into the drain fitting. If installing the shower into a pit, use great care not to drop the shower, but lower it into the installed position with care.

12. With the shower in the installed location, leveled and plumb, note if any high spots or bulges are present in the floor or along the threshold. Bulges would indicate excessive Thin-Set. If the bottom edge of the shower threshold is not in contact with the sub-floor, this also indicates excessive Thin-set. (See Picture 4)

Note If these conditions are present before tilting the shower forward, as indicated in the next step.

13. CAREFULLY, tilt shower unit forward to inspect bottom to ensure full contact between shower bottom and Thin-Set. Add Thin-Set until proper contact is achieved. If bulges were noted, or if the shower will not contact the sub floor; remove excessive Thin-Set. Use care to not remove TOO much Thin-set.

14. CAREFULLY, tilt shower unit back into the installed location. Make sure it is level and plumb.

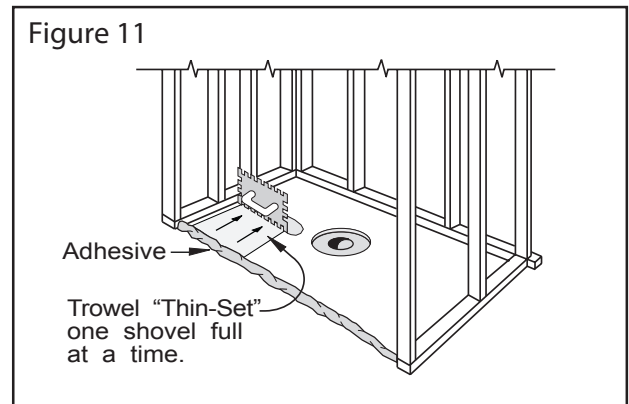
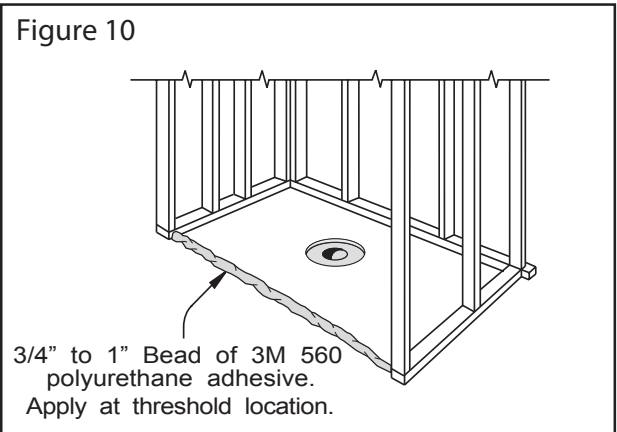
15. STOP and perform the following checks vital to proper installation and warranty:

- Check Floor for voids (if voids found, add more Thin Set)
- Check Floor for high spots (if high spots found, remove some Thin Set)
- Check Floor for slope or fall to the drain (Place small plumbers level from all sides of drain. See Figure 12)
- Check Unit threshold has remained at to sub-floor with no bowing or voids (if bowed remove obstruction and reset).

16. Use a torpedo level to check the shower floor to assure it has maintained factory slope to the drain, with no high or low

spots that would prevent proper drainage. Correct these conditions if necessary.

17. Secure the unit permanently to the studs. Screws are required. Do not use nails.

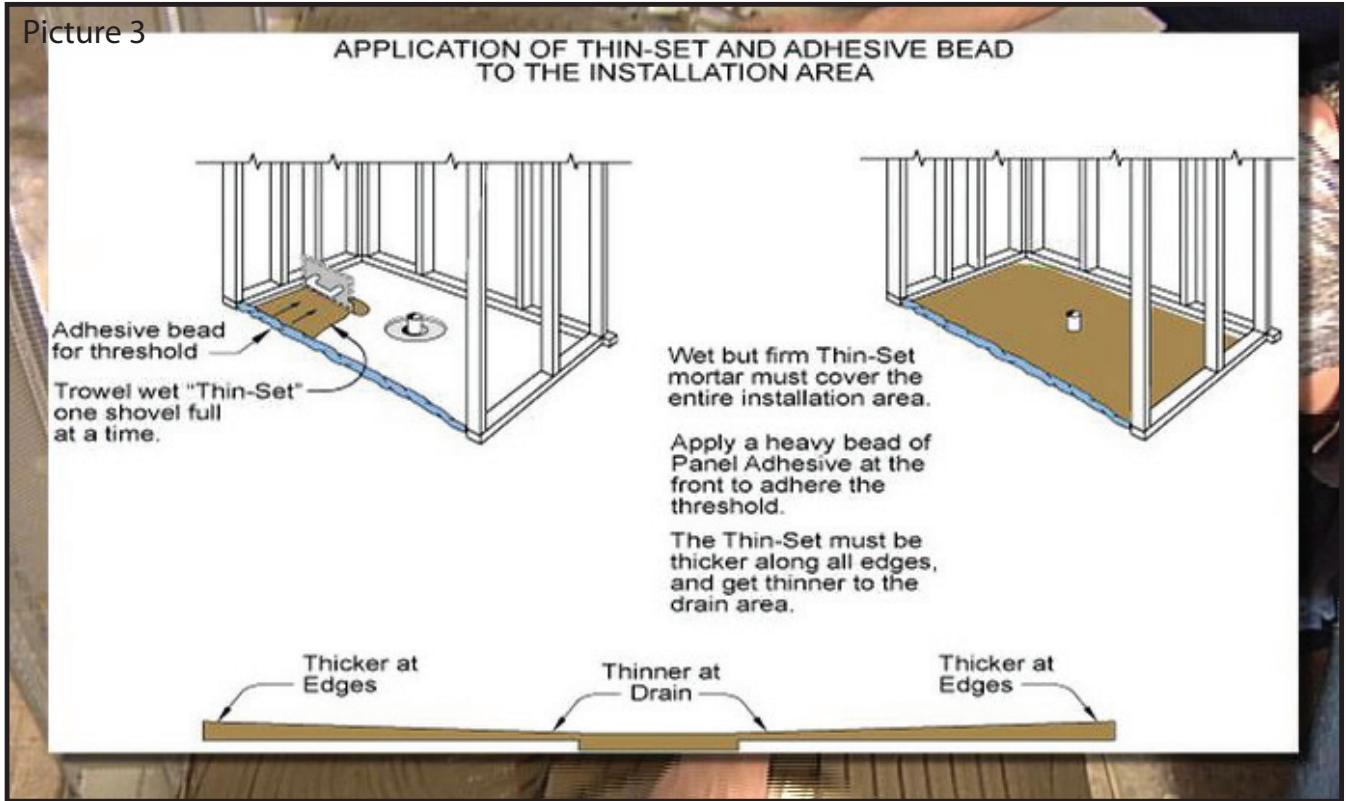




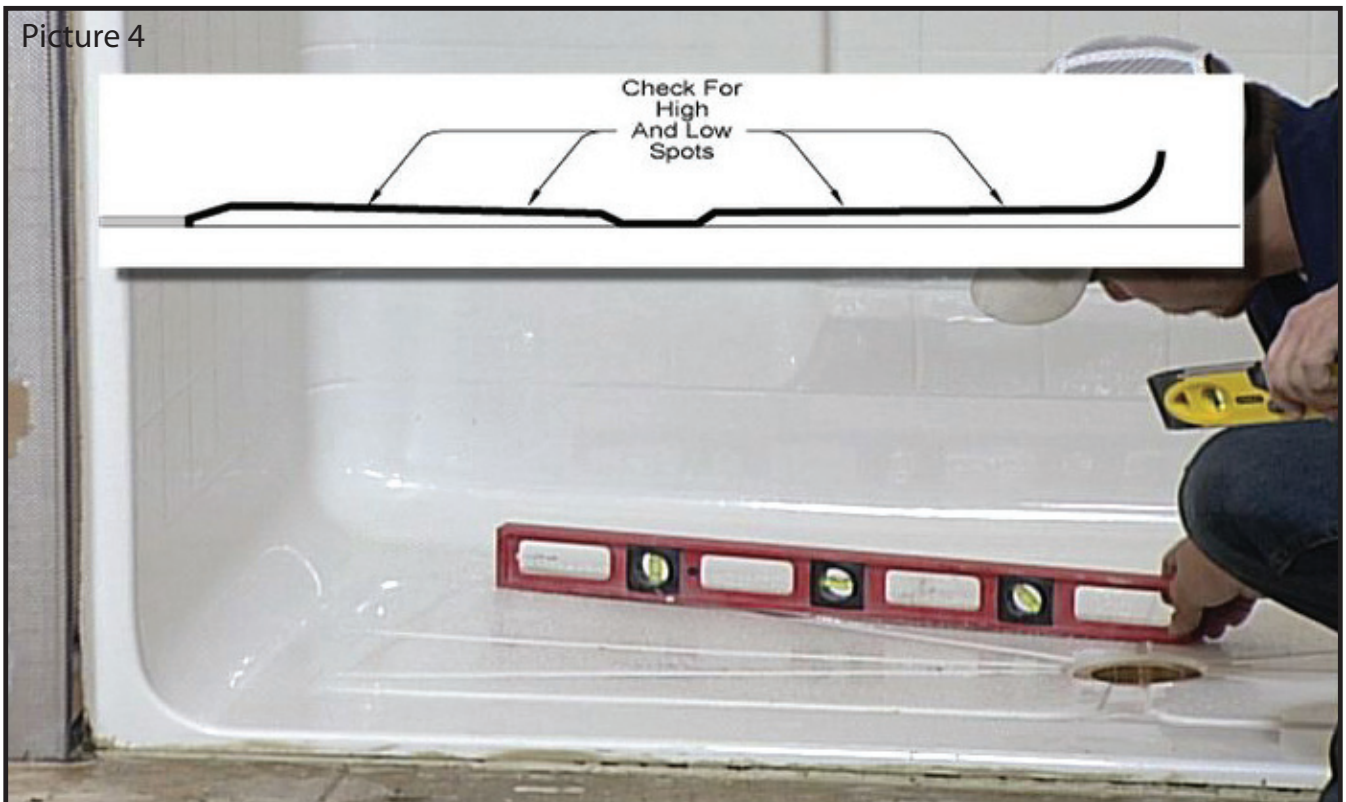
One Piece & Sectional ADA/Barrier Free Installation Instructions

36" ADA gelcoat & solid surface transfer showers
60" ADA gelcoat & solid surface roll-in showers

Picture 3



Picture 4





One Piece & Sectional ADA/Barrier Free Installation Instructions

36" ADA gelcoat & solid surface transfer showers
60" ADA gelcoat & solid surface roll-in showers

18. Prepare and install ceiling brace. Measure and install 2 x 4 brace between ceiling and a wood block placed directly over the center of the drain, being careful not to scratch or damage the unit (See Figure 13).

Carefully hammer and wedge brace into upright position pushing the drain area down into its proper position to achieve the correct slope ensuring proper drainage. Install brace on center of threshold in the same manner, if required. (See Picture 5)

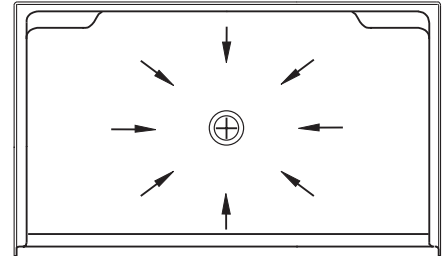
19. Test the floor slope for proper drainage around the perimeter of the drain with a plumbers level or by pouring water around the perimeter of the shower floor.

If the floor is firm with slope to the drain, your warranty is intact, you can leave the shower.

20. Remove braces after the bedding compound and adhesive has cured, (72 hours) checking floor again for high spots to ensure the slope has not been violated.

NOTE: All shower units are thoroughly tested to ensure the ability to drain water. Several tests are performed on each unit prior to it leaving the factory. Failure to follow the attached handling instructions and above installation procedures may cause improper drainage thus voiding the warranty. It is advised that all curb-less shower units should be fitted with water dam accessories such as a weighted curtain and/ or collapsible or semi-permanent dam if the bath environment is not designed with an outside drain to catch any over spray of water that may escape the unit.

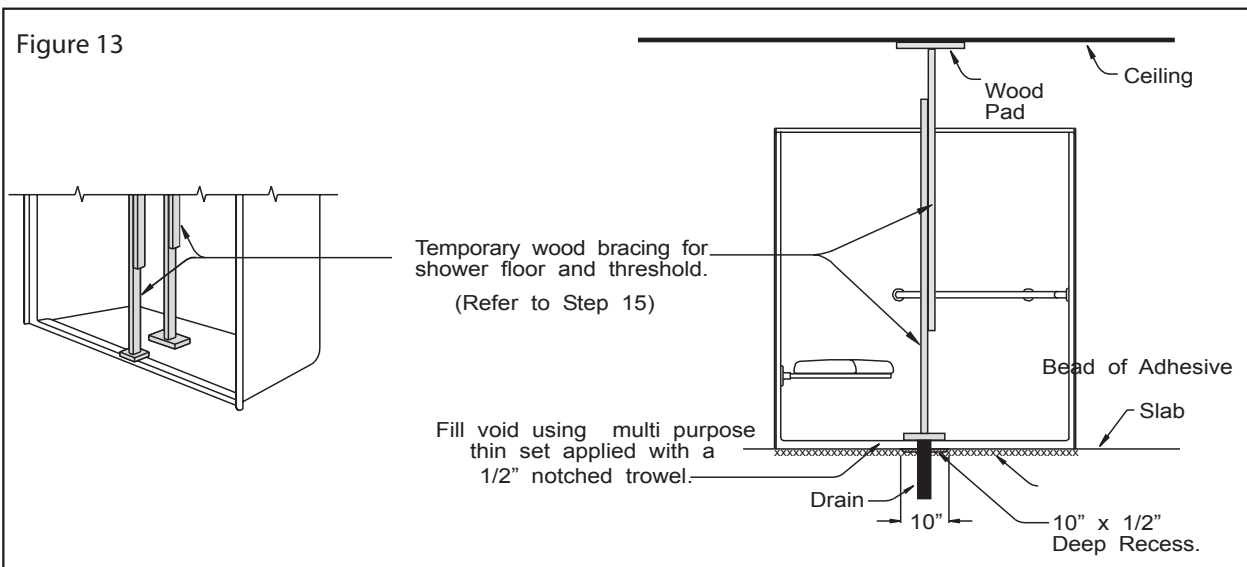
Figure 12



Picture 5



Figure 13





One Piece & Sectional ADA/Barrier Free Installation Instructions

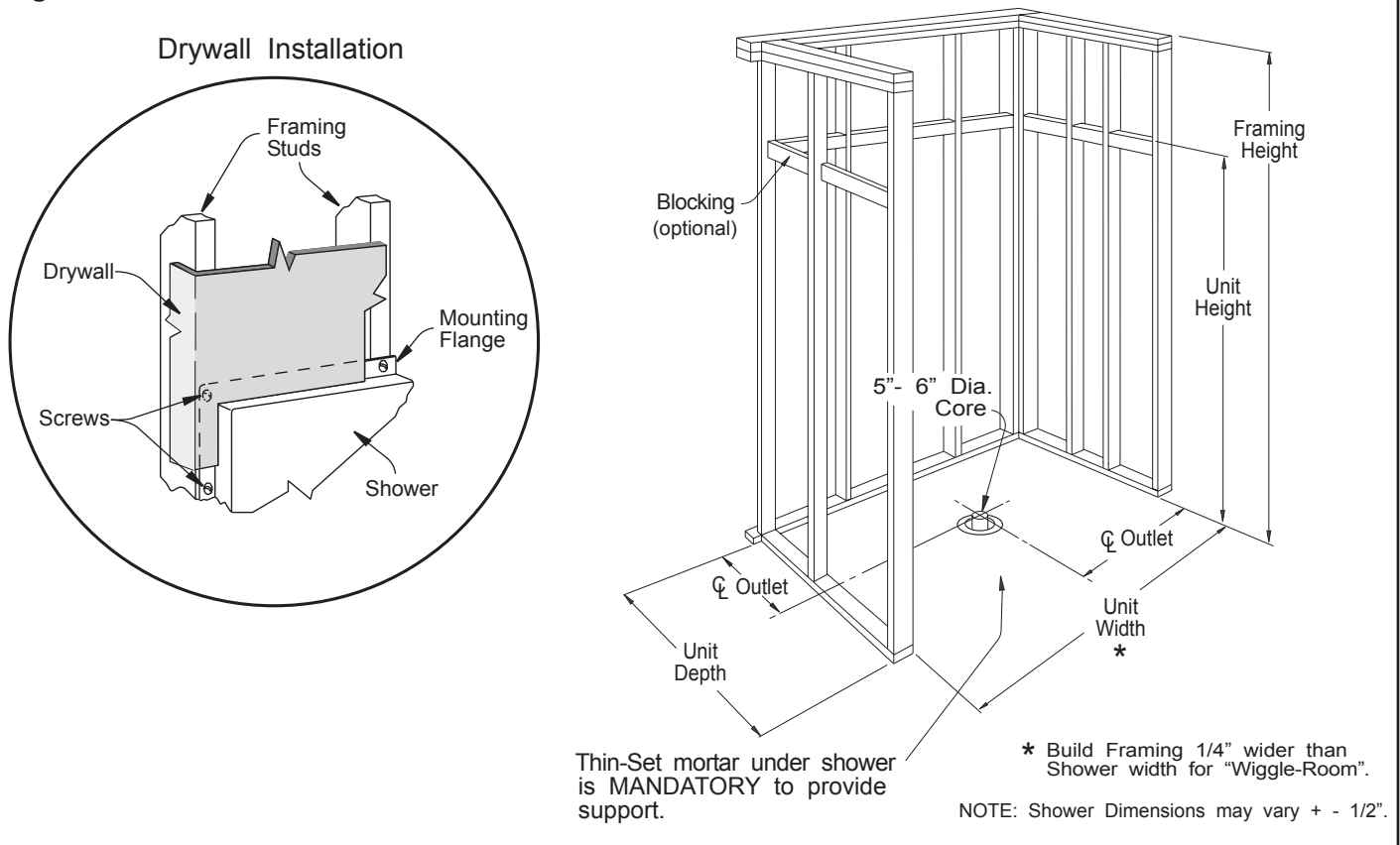
36" ADA gelcoat & solid surface transfer showers
60" ADA gelcoat & solid surface roll-in showers

SHOWER FRAMING DIAGRAM See Figure 14
Praxis companies LLC. is not responsible for the selection of placement of fittings that must adhere to ADA guidelines or any local codes. Installer is responsible for contacting local authorities for information regarding building or plumbing code requirements.

DO NOT USE ABRASIVE CLEANERS

The most important caution is to avoid use of harsh abrasive cleaners or gritty scouring powders. To clean the unit, simply use a household liquid detergent with soft sponge cloth and warm water. More persistent stains, tar, or paint can be removed with naphtha or mineral spirits. Remove excess plaster by scraping with a sharpened soft wood stick. Avoid wire brushes, metal scrapers or tools. Restore dull areas by rubbing with automotive type body cleaning compound.

Figure 14





One Piece & Sectional ADA/Barrier Free Installation Instructions

*36" ADA gelcoat & solid surface transfer showers
60" ADA gelcoat & solid surface roll-in showers*

LIMITED WARRANTY

Praxis Companies warrants to the owner of its Showers and Tub/Shower units as follows: Units manufactured of fiberglass reinforced polyester resin, that it will, free of charge, repair or exchange as its option, any Praxis Companies unit found to be defective in materials or workmanship upon inspection by an authorized representative of Praxis Companies for a period of three (3) years from date of purchase. The exchange of a unit is limited to supplying a replacement unit of comparable size and style and does not include any costs of removal or installation.

This warranty shall be voided if the unit is moved from its place of initial installation or is not installed in accordance with the instructions supplied by the manufacturer of the unit. Further, this warranty does not apply if the unit has been subjected to accident, abuse, misuse, damage caused by flood, fire or act of God. Since local code requirements vary greatly throughout the country, distributors, dealers, installation contractors and users of plumbing products should determine whether there are any code restrictions on the use of a specific product. Praxis Companies makes no representation or warranty regarding and shall not be responsible for any code compliance.

The owner agrees by use of this unit that the obligations of Praxis Companies shall not exceed to contingent or indirect damage or injury to the structure of its contents, that the obligations of Praxis Companies are limited to those set forth herein, and that no other obligations, expressed or implied, are assumed by Praxis Companies.

Contact: Praxis Companies Warranty Department
800-443-7269, ext 310
gyoung@praxiscompanies.com



One Piece & Sectional ADA/Barrier Free Installation Instructions

36" ADA gelcoat & solid surface transfer showers
60" ADA gelcoat & solid surface roll-in showers