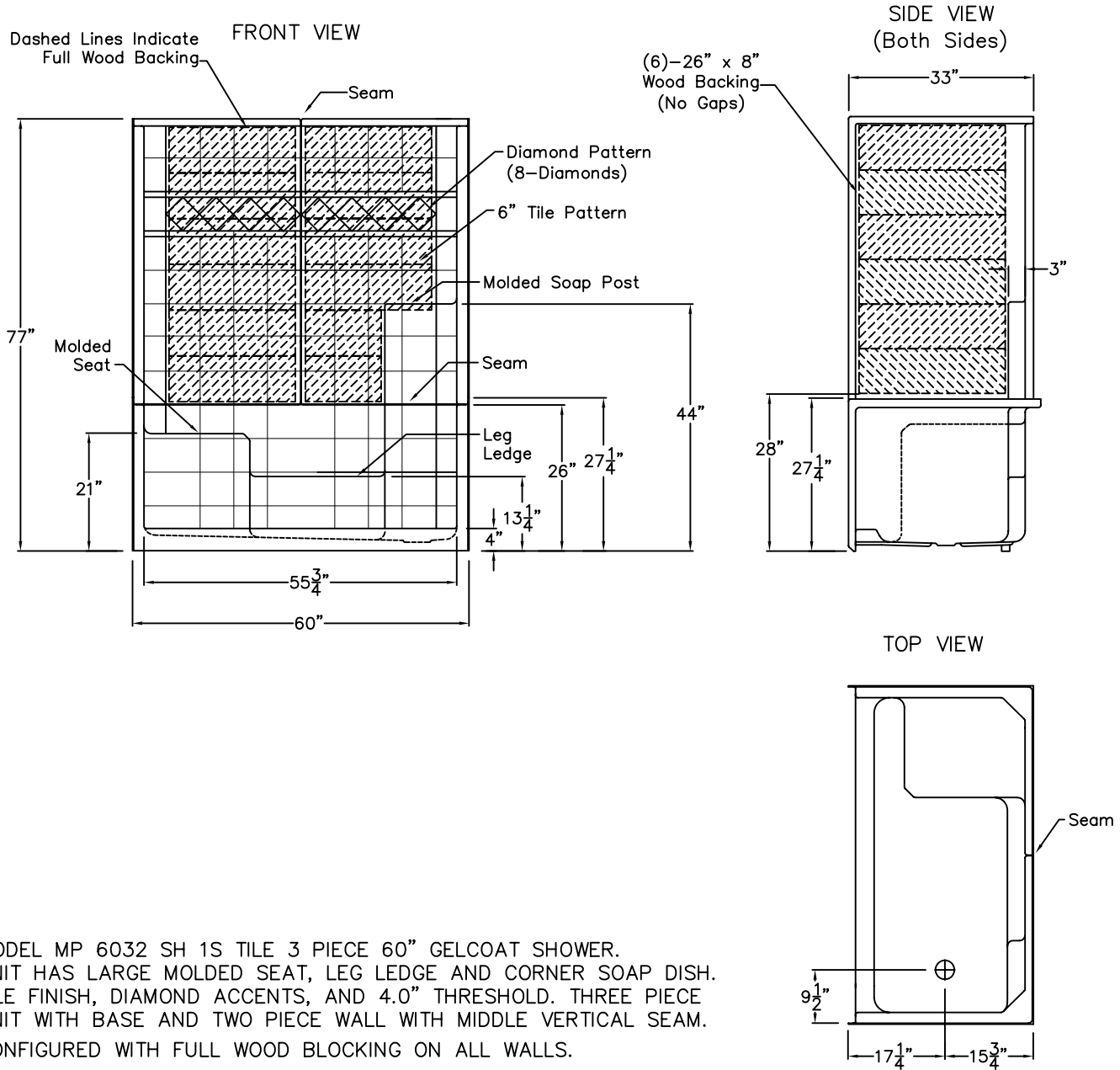


Luxury Gelcoat Series

SUBMITTAL DATA



MODEL MP 6032 SH 1S TILE 3 PIECE 60" GELCOAT SHOWER. UNIT HAS LARGE MOLDED SEAT, LEG LEDGE AND CORNER SOAP DISH. TILE FINISH, DIAMOND ACCENTS, AND 4.0" THRESHOLD. THREE PIECE UNIT WITH BASE AND TWO PIECE WALL WITH MIDDLE VERTICAL SEAM. CONFIGURED WITH FULL WOOD BLOCKING ON ALL WALLS.

BASE SEAM IS 26" ABOVE THE BOTTOM OF THE SKIRT.

HANDED BY THE SEAT. LEFT HAND SHOWN, RIGHT HAND AVAILABLE.

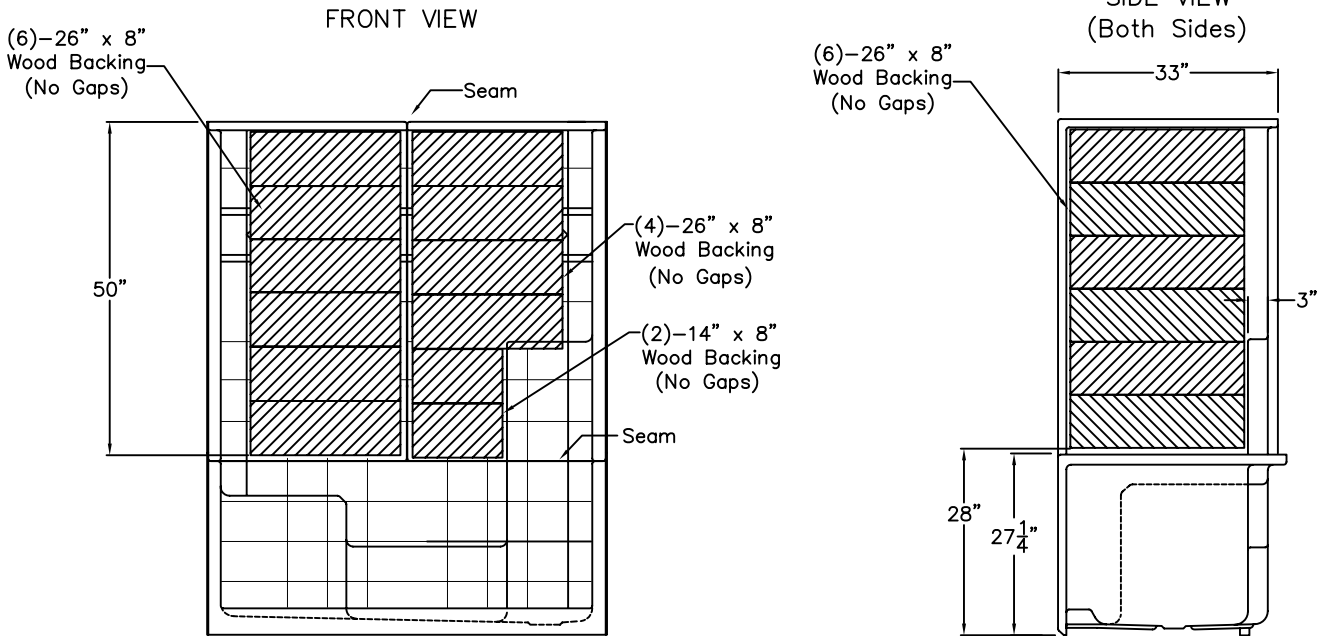
DUE TO THE NATURE OF THE MATERIALS DIMENSIONS MAY VARY ± 1/2"

Job Name:		HAMILTON	
Model No.:		Drawing#: MP 6032 SH 1S 3P Tile FWB	
Approved by:	Date Approved:	Date: 8-22-08	Revised: 5-24-10
Rep.:	Wholesaler:	Quote No.:	

PRAXIS INDUSTRIES, LLC.
 435 INDUSTRIAL RD - SAVANNAH, TN 38372
 1 (800) 443-7269 - FAX (731) 925-4290

Board Placement Drawing

SUBMITTAL DATA © 2001



DUE TO THE NATURE OF THE MATERIALS
DIMENSIONS MAY VARY ± 1/2"

Job Name:	HAMILTON	
Model No.:	Drawing#: MP 6032 SH 1S 4.0 MS FWB-BP	
Approved by:	Date Approved:	Date: 1-26-00 Revised: 5-24-10
Rep.:	Wholesaler:	Quote No.:

COMFORT DESIGNS
435 INDUSTRIAL RD - SAVANNAH, TN 38372
1 (800) 443-7269 - FAX (731) 925-4290

Recyclable Paper