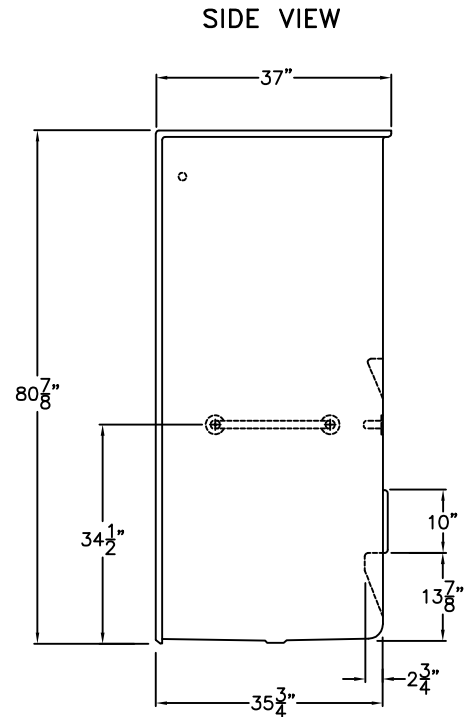
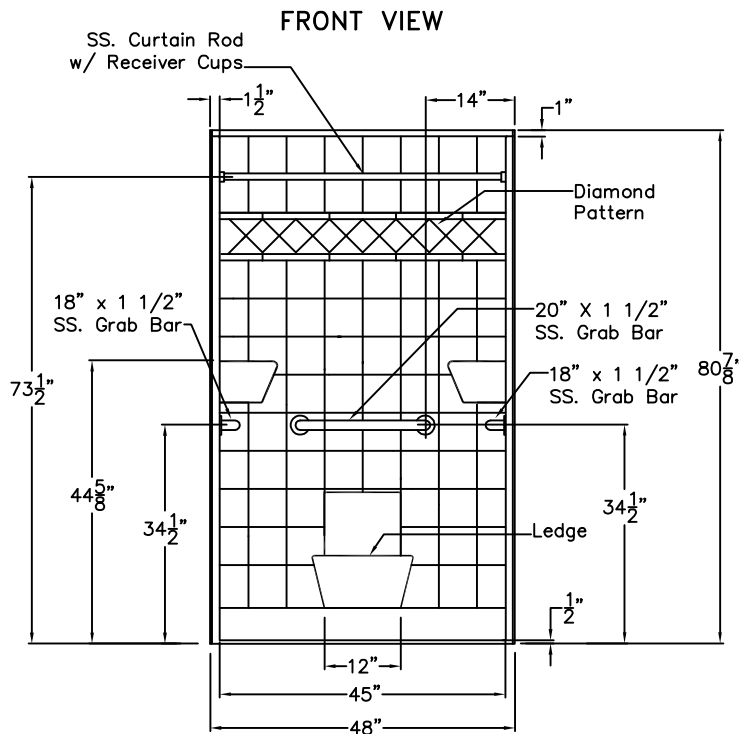


# Comfort Series

## SUBMITTAL DATA



### Accessible Shower Stall

The shower enclosure shall be Hamilton Model G 4836 IBS Tile right or left. Finished surface shall be of a sanitary grade applied acrylic. The base shall be attached to the sump of the unit in such a manner to form an integral part with an inner and outer coating of polyester resin.

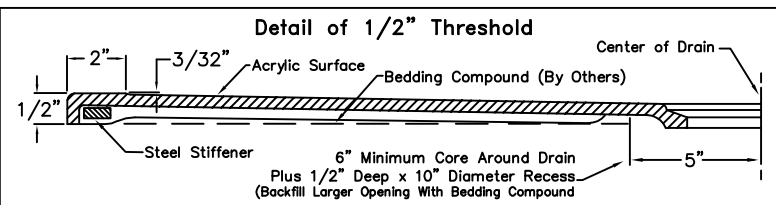
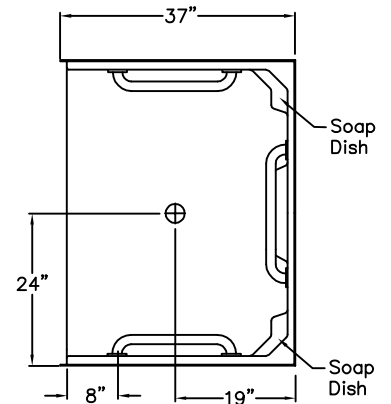
The unit shall have outside dimensions of 48" x 37" x 80 7/8". Unit complies with UPC, CSA B45.5, HUD-UM73, ANSI Z124.1.2 and Home Innovation Research Lab.

The enclosure shall be equipped with the following installed accessories:

- 1) One 20" x 1 1/2" diameter stainless steel grab bar horizontal on the back wall,
- 2) Two 18" x 1 1/2" diameter stainless steel grab bar horizontal on both side walls, all with 1 1/2" statute clearance, mounted from the rear with stainless steel bolts, and 3" x 3" x 11 gauge metal mounting plates,
- 3) One inch diameter stainless steel curtain rod with receiver cups,
- 4) Tile finish,
- 5) Diamond accents,
- 6) Molded ledges on the back wall,
- 7) 1/2" threshold.

Available Options: 8) Fold up seat, 9) Nurses call box drilling, 10) Recessed soap dish, 11) Valve package, 12) Easy Base.

### TOP VIEW



DUE TO THE NATURE OF THE MATERIALS INVOLVED, UNIT DIMENSIONS MAY VARY ± 1/2 INCH.

HAMILTON

Approved By Print Signature:

Drawing#: G 4836 IBS Tile .50 HBW HSW2 CR

Approved By Signature:

Date:

Date: 6-22-07

Revised: 12-6-16

Rep.:

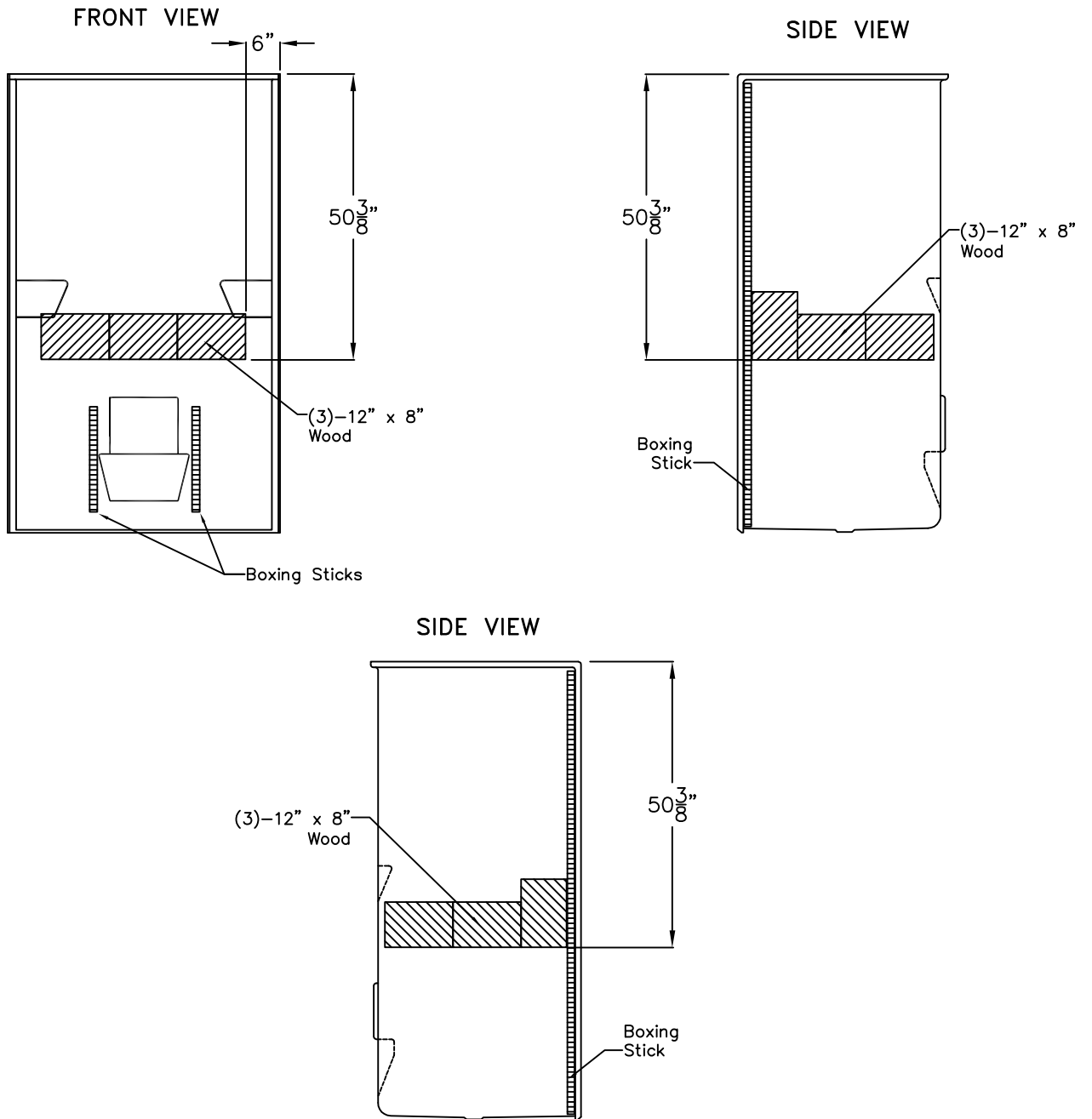
Wholesaler:

Quote No.:

PRAXIS INDUSTRIES, LLC.  
 435 INDUSTRIAL RD - SAVANNAH, TN 38372  
 1 (800) 443-7269 - FAX (731) 925-4290

# Board Placement

## SUBMITTAL DATA



DUE TO THE NATURE OF THE MATERIALS INVOLVED, UNIT DIMENSIONS MAY VARY ± 1/2 INCH.

|                         |   |                                     |
|-------------------------|---|-------------------------------------|
| Job Name:               | HAMILTON  |                                     |
| Approved by Print Name: | Drawing#: G 4836 IBS Tile .50 HBW HSW2<br>CR-BP |                                     |
| Approved by Signature:  | Date:   | Date: 6-20-07      Revised: 12-2-16 |
| Rep.:                   | Wholesaler:                                     | Quote No.:                          |

PRAXIS INDUSTRIES, LLC.  
 435 INDUSTRIAL RD - SAVANNAH, TN 38372  
 1 (800) 443-7269 - FAX (731) 925-4290