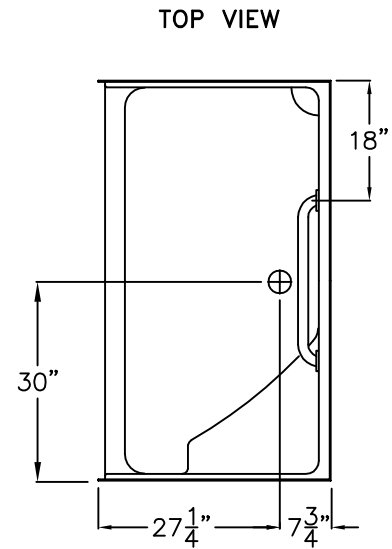
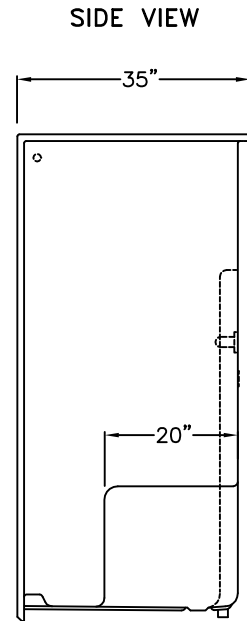
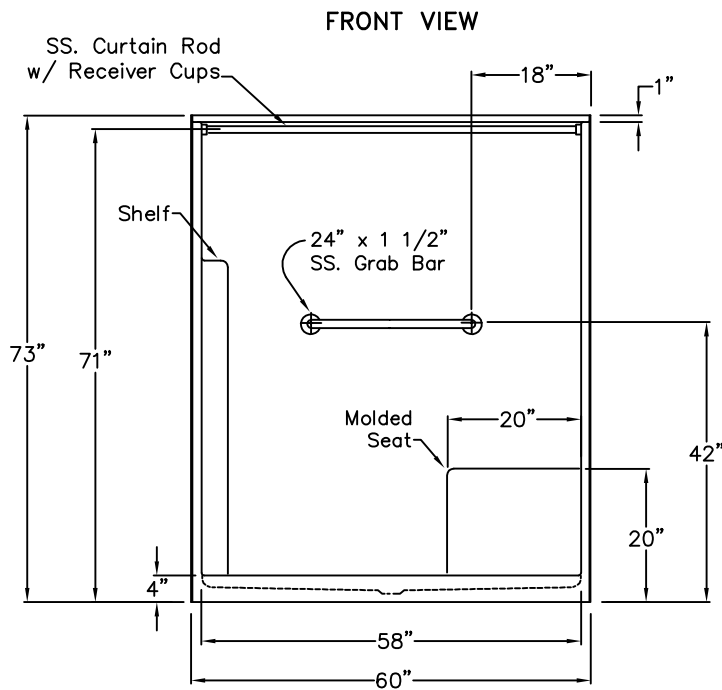


# Special Needs Series

## SUBMITTAL DATA



### Accessible Shower Stall

The shower enclosure shall be Hamilton Model G 6096 SH 1S right or left. Finished surface shall be of a sanitary grade applied acrylic. The base shall be attached to the sump of the unit in such a manner to form an integral part with an inner and outer coating of polyester resin. The unit shall have outside dimensions of 60" x 35" x 73". Unit complies with UPC, CSA B45.5, HUD-UM73, ANSI Z124.1.2 and Home Innovation Research Lab.

The enclosure shall be equipped with the following installed accessories:

- 1) One 24" x 1 1/2" diameter stainless steel grab bar horizontal on the back wall, with 1 1/2" statute clearance, mounted from the rear with stainless steel bolts, and 3" x 3" x 11 gauge metal mounting plates,
- 2) One inch diameter stainless steel curtain rod with receiver cups,
- 3) Molded seat,
- 4) Molded ledge,
- 5) 4.0" Threshold.

Available Options: 6) vertical grab bar, 7) recessed soap dish, 8) Nurses call box drilling, 9) Valve package with hand shower.

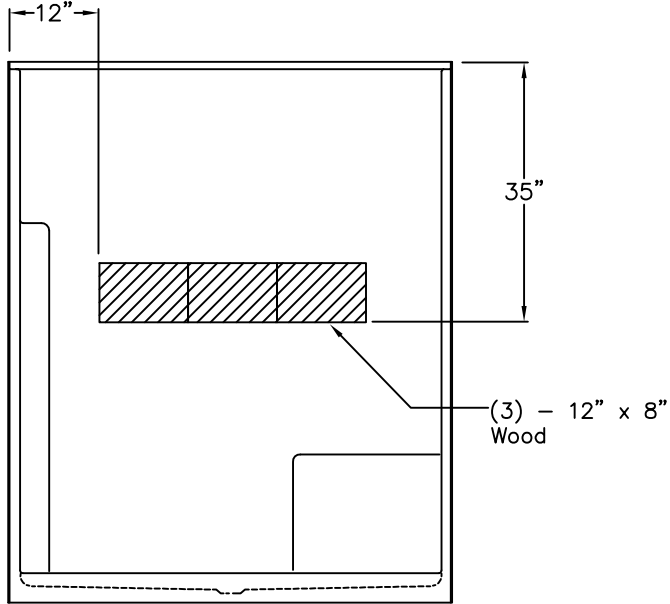
DUE TO THE NATURE OF THE MATERIALS  
DIMENSIONS MAY VARY ± 1/2"

<b>Job Name:</b>	<b>HAMILTON</b>
<b>Approved By Print Name:</b>	<b>Drawing#:</b> G 6096 SH 4.0 MS Package 1
<b>Approved By Signature:</b>	<b>Date:</b> 8-13-96 <span style="float: right;"><b>Revised:</b> 12-6-16</span>
<b>Rep.:</b>	<b>Wholesaler:</b> <span style="float: right;"><b>Quote No.:</b></span>

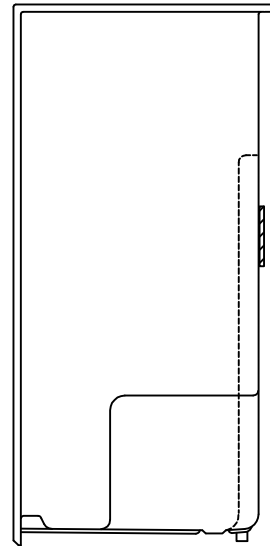
PRAXIS INDUSTRIES, LLC.  
435 INDUSTRIAL RD - SAVANNAH, TN 38372  
1 (800) 443-7269 - FAX (731) 925-4290

# Board Placement SUBMITTAL DATA

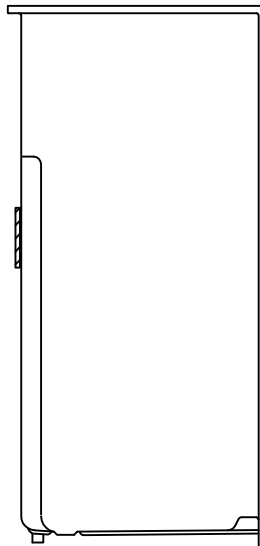
FRONT VIEW



SEAT SIDE VIEW



SIDE VIEW



DUE TO THE NATURE OF THE MATERIALS  
DIMENSIONS MAY VARY  $\pm 1/2$ "

Job Name:	<b>HAMILTON</b>
Approved by Print Name:	Drawing#: G 6096 SH 4.0 MS Package 1-BP
Approved by Signature:	Date: 10-8-99 <span style="float: right;">Revised: 12-6-16</span>
Rep.:	Wholesaler: <span style="float: right;">Quote No.:</span>

PRAXIS INDUSTRIES, INC.  
ROUTE 1, BOX 46D - SAVANNAH, TN 38372  
1 (800) 443-7269 - FAX (901) 925-4290