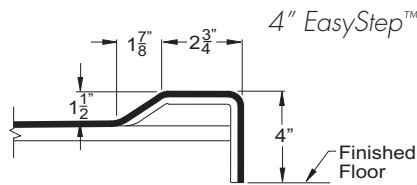
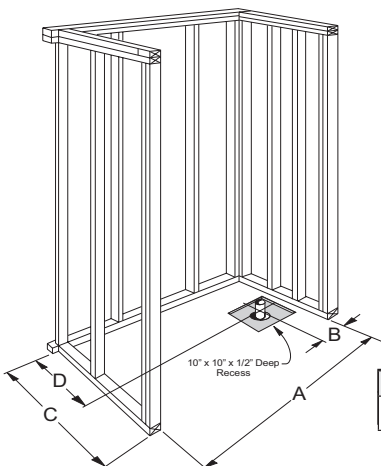
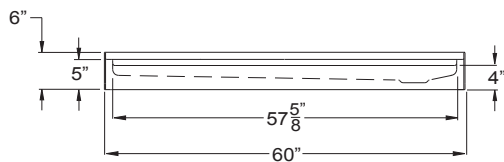
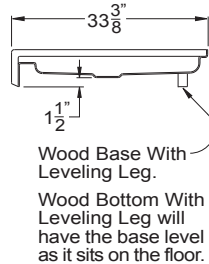
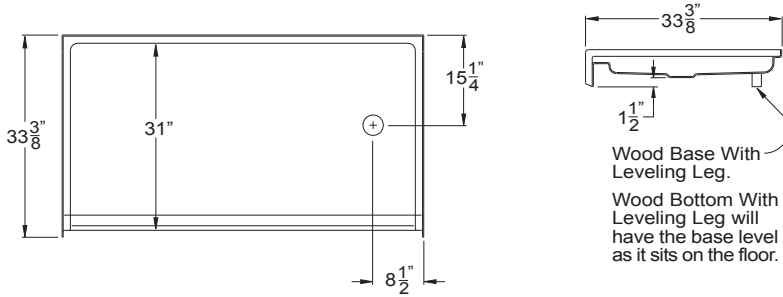
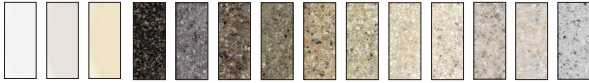


SAFE. ACCESSIBLE.
BATHING SOLUTIONS.

UPGRADE to solid surface



A	B	C	D
60.25"	8.625"	33.375"	15.25"

Due to the nature of the materials, dimensions may vary +/- 0.5".

MyPlace™ AcrylX™ shower bases

MPB 6033 SH 4.0 L/R

OUTER DIMENSION	60" x 33.375" x 6"
THRESHOLD	4" EasyStep™
DRAIN	Left or Right
HANDED	Drain
SHIPPING WEIGHT	56
LOAD FACTOR	0.24
TRUCK LOAD FACTOR	0.24



EasyStep™
Threshold



Solid Surface
Finish



AcrylX™
Finish

NOTES

CODES code compliant with IPC, UPC, and ANSI Z 124.2 only.

RAPID SHIP All shower bases are in stock for rapid shipment - ships in four business days.

WARRANTY All shower bases are offered with an unprecedented lifetime limited warranty.



THE PRAXIS COMPANIES | praxiscompanies.com
customer service 800.443.7269