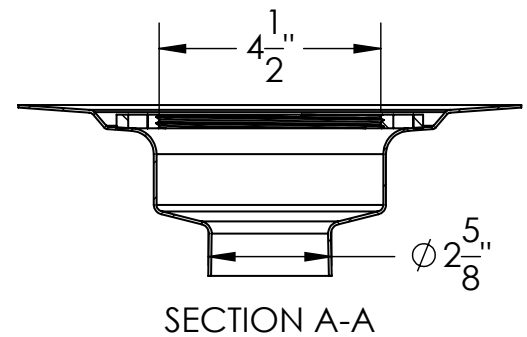
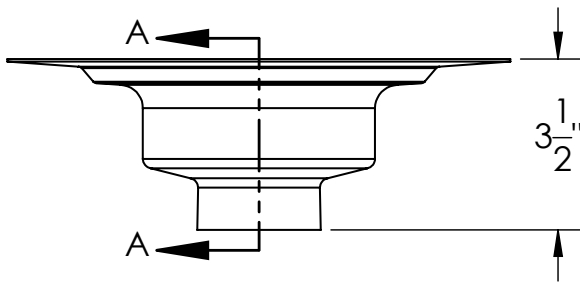
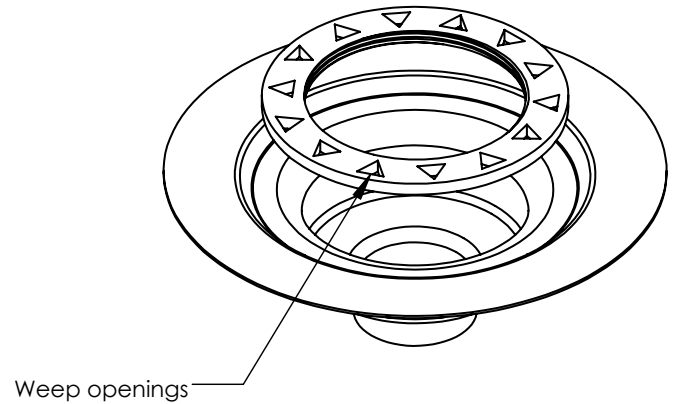
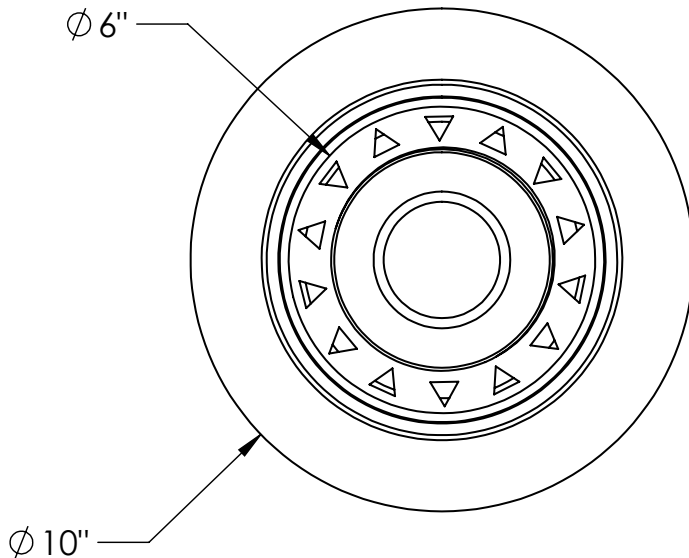


BFS 42 Specifications

ID Infinity Drain

BFS 42:

- Stainless Steel Bonded Flange Assembly
- 4" Throat fits 2", 3", and 4" outlet
- Compatible with cold applied liquid or fabric type waterproofing membranes



Infinity Drain
145 Dixon Avenue
Amityville, NY 11701
Phone: 516.767.6786
Fax: 516.740.3066
www.infinitydrain.com



NOTE: Installer must verify all rough-in dimensions prior to installation and consult local and national codes. Conformity and compliance to local and national codes are the responsibility of the installer.