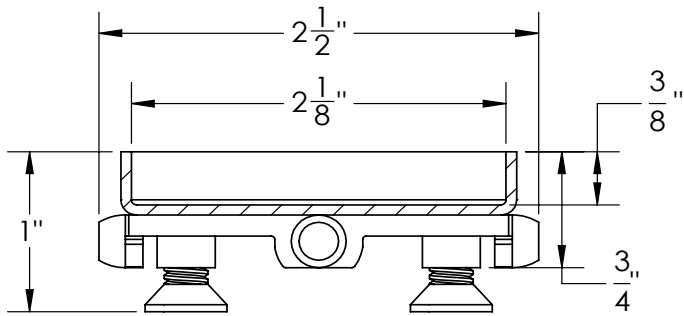


# LA 65 Specifications



## LA 65:

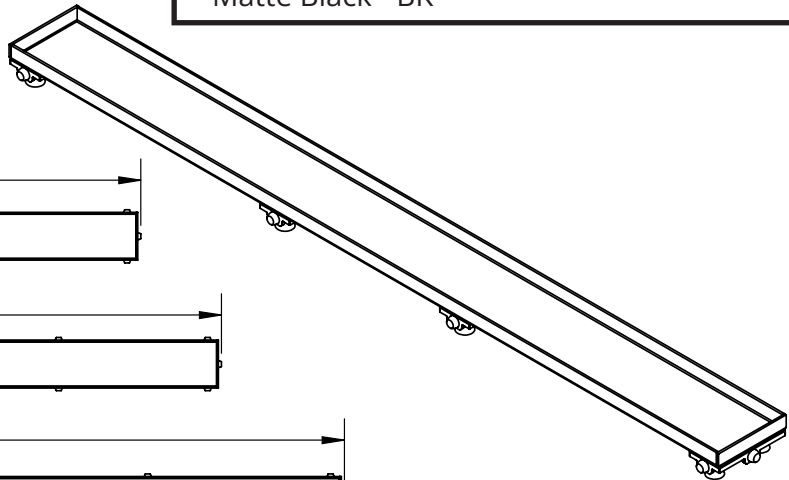
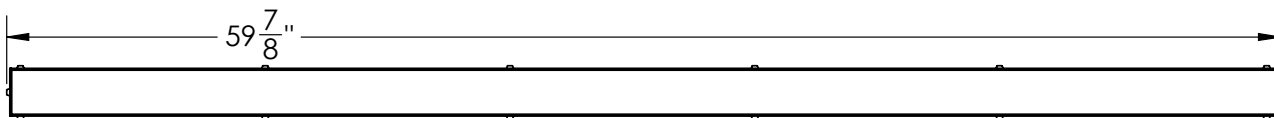
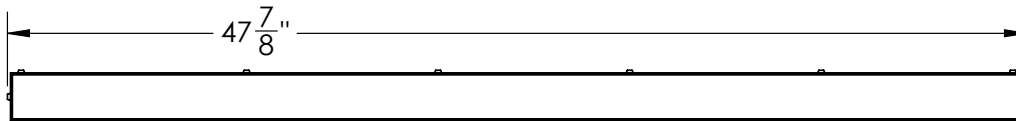
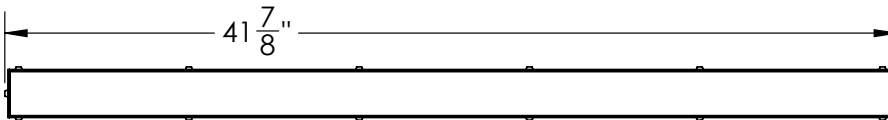
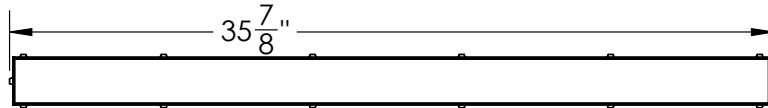
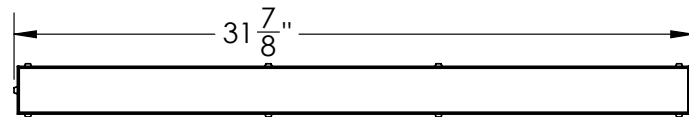
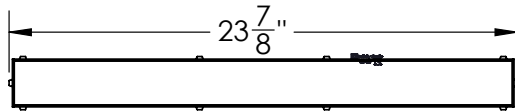
- Tile Insert Frame for FXLTIF 65, FFTIF 65, FCSTIF 65, FCBTIF 65, FTTF 65
- 16 gauge, 304L stainless steel
- Accepts flooring material up to 3/8" in thickness

## Models (Overall dimension):

- LA 6524: 23-7/8" L x 2-1/2" W x 3/4" H
- LA 6532: 31-7/8" L x 2-1/2" W x 3/4" H
- LA 6536: 35-7/8" L x 2-1/2" W x 3/4" H
- LA 6542: 41-7/8" L x 2-1/2" W x 3/4" H
- LA 6548: 47-7/8" L x 2-1/2" W x 3/4" H
- LA 6560: 59-7/8" L x 2-1/2" W x 3/4" H

## Finishes:

- Satin Stainless - SS
- Polished Stainless - PS
- Satin Bronze - SB
- Oil Rubbed Bronze - ORB
- Matte Black - BK



**Infinity Drain**  
 145 Dixon Avenue  
 Amityville, NY 11701  
 Phone: 516.767.6786  
 Fax: 516.740.3066  
 www.infinitydrain.com



NOTE: Installer must verify all rough-in dimensions prior to installation and consult local and national codes. Conformity and compliance to local and national codes are the responsibility of the installer.