

# KINGSTON

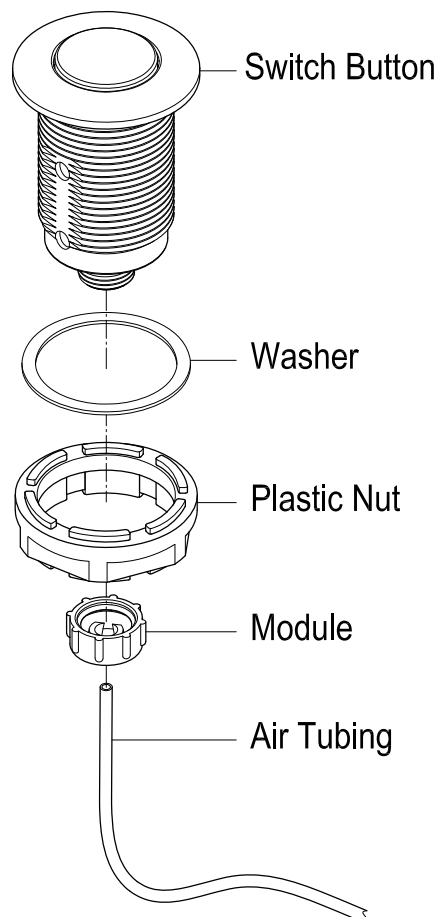
KITCHEN & BATH

## INSTALLATION INSTRUCTIONS

### Switch Button

#### Instructions:

1. Mount the air switch button through a 1-3/8" diameter hole in the sink counter.
2. Place the washer between the push button and top of the sink counter. Tighten the plastic nut under the sink counter to ensure well installation.
3. Attach the air tubing between the pushing button and power module. Push the tubing tightly onto the molded protrusions.
4. Plug the power module into a dedicated, grounded 120V AC outlet that is continuously powered.
5. Plug the disposer power cord into the power module. Press the push button to ensure that sink top switch turns the disposer on and off.



[www.kingstonbrass.com](http://www.kingstonbrass.com)

TOLL-FREE CUSTOMER SERVICE: 1-877-2-KBRASS

TECHNICAL SUPPORT E-mail: [service@kingstonbrass.com](mailto:service@kingstonbrass.com)

12775 Reservoir Street, Chino, CA 91710