

Care and Cleaning

For best results, keep the following in mind when caring for your KALLISTA product:

- Always test your cleaning solution on an inconspicuous area before applying to the entire surface. Avoid using aerosol products.
- Wipe surfaces clean and rinse completely with water immediately after applying cleaner. Rinse and dry any overspray that lands on nearby surfaces.
- Do not allow cleaners to soak on surfaces.
- Use a soft, dampened sponge or cloth. Never use an abrasive material such as a brush or scouring pad to clean surfaces.
- Do not allow chemicals and cosmetics (such as fingernail polish and aftershave) to come in contact with the seat.
- The ideal cleaning mixture is dishwashing soap and water. Rinse and dry with a soft cloth.

For detailed cleaning information and products to consider, visit www.kallista.com/resources/carecleaning.kis. To order Care & Cleaning information, call 1-888-452-5547.

Five-Year Limited Warranty

All KALLISTA products carry KALLISTA's five-year limited warranty unless otherwise noted.*

KALLISTA products are warranted to be free of defects in material and workmanship for five years from the date of installation.

KALLISTA will, at its election, repair, replace, or make appropriate adjustment where KALLISTA inspection discloses any such defects occurring in normal usage within five (5) years after installation.

KALLISTA is not responsible for removal or installation costs. Use of in-tank toilet cleaners will void the warranty.

To obtain warranty service, contact your KALLISTA Authorized Showroom.

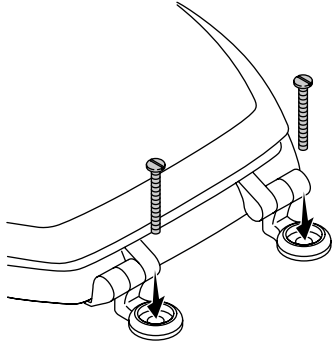
Implied warranties including that of merchantability and fitness for a particular purpose are expressly limited in duration to the duration of this warranty. KALLISTA and/or seller disclaims any liability for special, incidental, or consequential damages.

Some states/provinces do not allow limitations on how long an implied warranty lasts, or the exclusion or limitation of special, incidental or consequential damages, so these limitations and exclusions may not apply to you. This warranty gives you specific legal rights. You may also have other rights which vary from state/province to state/province.

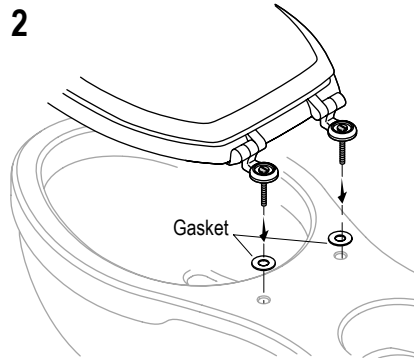
This is KALLISTA's exclusive written warranty.

* KALLISTA's Hampstead and Stafford vitreous products carry a one-year Limited Warranty.

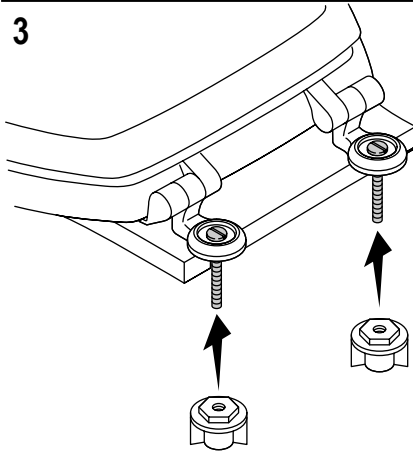
1



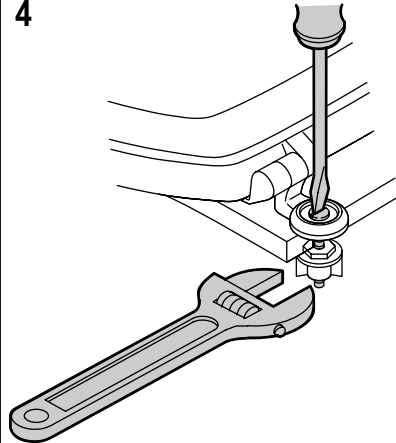
2



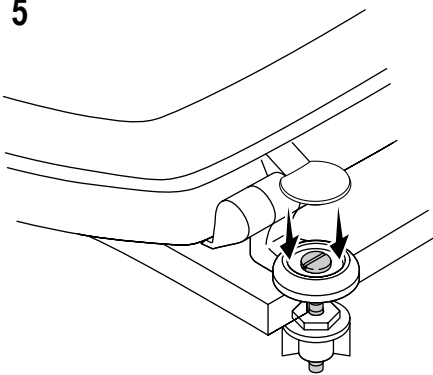
3



4



5



6

