

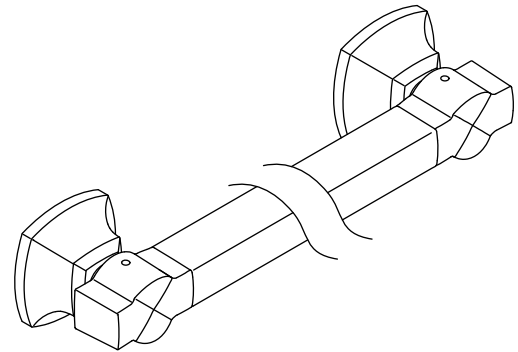
Features

- Metal construction
- Includes installation hardware
- ADA compliant when installed per Accessibility Guidelines of the Act, except for 9" (229 mm) length

Codes/Standards Applicable

Specified model meets or exceeds the following:

- ADA
- ASTM F446
- ICC/ANSI A117.1



Colors/Finishes

- S: Polished Stainless Steel
- Other: Refer to Price Book for additional colors/finishes

Specified Model

Model	Description	Colors/Finishes	
K-11880	9" (229 mm) grab bar	<input type="checkbox"/> S	<input type="checkbox"/> Other _____
K-11881	12" (305 mm) grab bar	<input type="checkbox"/> S	<input type="checkbox"/> Other _____
K-11882	18" (457 mm) grab bar	<input type="checkbox"/> S	<input type="checkbox"/> Other _____
K-11883	24" (610 mm) grab bar	<input type="checkbox"/> S	<input type="checkbox"/> Other _____
K-11884	32" (813 mm) grab bar	<input type="checkbox"/> S	<input type="checkbox"/> Other _____
K-11885	36" (914 mm) grab bar	<input type="checkbox"/> S	<input type="checkbox"/> Other _____
K-11886	42" (1067 mm) grab bar	<input type="checkbox"/> S	<input type="checkbox"/> Other _____
K-11887	48" (1219 mm) grab bar	<input type="checkbox"/> S	<input type="checkbox"/> Other _____

Product Specification

The grab bar shall be of metal construction. Product shall be ADA compliant when installed per Accessibility Guidelines of the Act, except for 9" (229 mm) length. Product shall include installation hardware. Product shall be Kohler Model K-____-____.

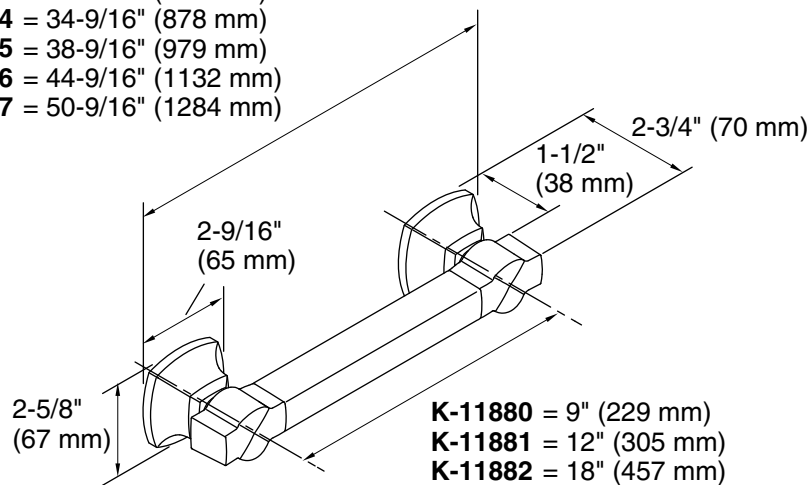
Installation Notes



WARNING: Risk of personal injury. The wall plates on the grab bar must be mounted to a brace between the wall studs. This will ensure that the weight of the user is adequately supported.

Install this product according to the installation guide.

- K-11880 = 11-9/16" (294 mm)
- K-11881 = 14-9/16" (370 mm)
- K-11882 = 20-9/16" (522 mm)
- K-11883 = 26-9/16" (675 mm)
- K-11884 = 34-9/16" (878 mm)
- K-11885 = 38-9/16" (979 mm)
- K-11886 = 44-9/16" (1132 mm)
- K-11887 = 50-9/16" (1284 mm)



- K-11880 = 9" (229 mm)
- K-11881 = 12" (305 mm)
- K-11882 = 18" (457 mm)
- K-11883 = 24" (610 mm)
- K-11884 = 32" (813 mm)
- K-11885 = 36" (914 mm)
- K-11886 = 42" (1067 mm)
- K-11887 = 48" (1219 mm)

Product Diagram