



Disposal Flange with Stopper K-11352

Features

- Fits standard garbage disposal units (4-1/2-inch diam., 1-5/8-inch depth).
- Premium metal construction.
- Perfect color match with KOHLER finishes.
- Includes Disposal Flange and Stopper.
- Fits standard garbage disposal units, 4-1/2" diameter, 1-5/8" depth.



Codes/Standards

None Applicable

KOHLER® One-Year Limited Warranty

See website for detailed warranty information.

Available Colors/Finishes

Color tiles intended for reference only.

| Color | Code | Description |
|--|------|-------------------------------|
|  | CP | Polished Chrome |
|  | SN | Vibrant® Polished Nickel |
|  | PB | Vibrant® Polished Brass |
|  | BN | Vibrant® Brushed Nickel |
|  | BS | Brushed Stainless |
|  | BV | Vibrant® Brushed Bronze |
|  | 2BZ | Oil-Rubbed Bronze |
|  | BL | Matte Black |
|  | 2MB | Vibrant Brushed Moderne Brass |

1-800-4KOHLER (1-800-456-4537)

Kohler Co. reserves the right to make revisions without notice to product specifications.

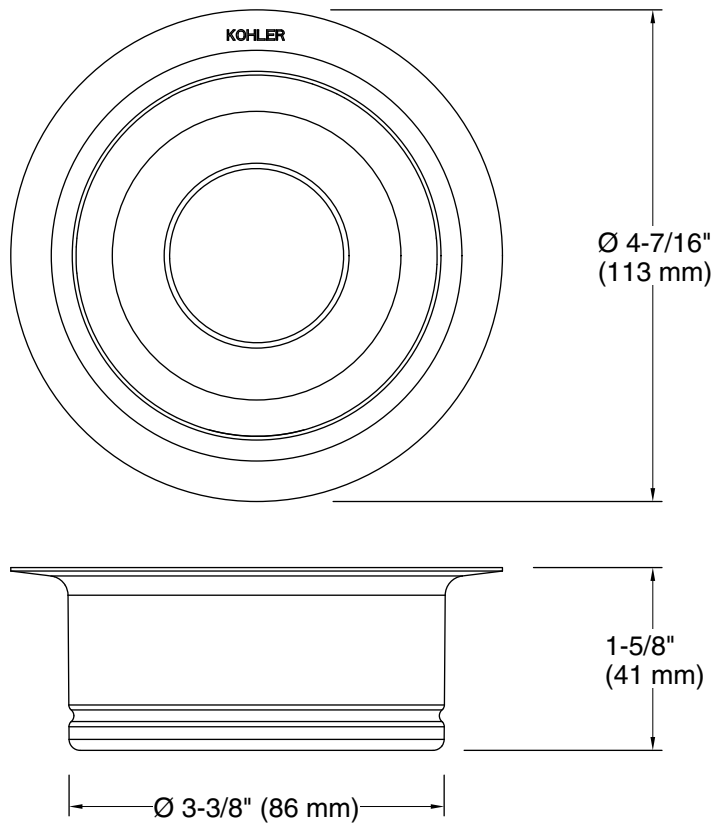
For the most current Specification Sheet, go to www.kohler.com.

2-21-2020 05:48 - US/CA/MX

THE BOLD LOOK
OF **KOHLER**®



Disposal Flange with Stopper
K-11352



Technical Information

All product dimensions are nominal.

Material: Metal