

### Features

- Bask® heated surface creates spa-like relaxation with soothing warmth on your back and neck.
- Three heat settings allow you to customize the surface temperature.
- Single-speed whirlpool offers performance and value, with 5 fully adjustable jets.
- Hydromassage flow and direction can be controlled at each jet.
- Hourglass shape adds style and elegance to your bathroom.
- Textured bottom surface
- Reversible drain.

### Material

- Acrylic

### Hydrotherapy

- Whirlpool

### Installation

- Drop-in

### Additional Hydrotherapy Options

- Soaking Bath - 1229-0
- Soaking Bath + Bask heated surface - 1229-W1
- BubbleMassage air bath - 1224-G
- VibrAcoustic - 1224-VB
- VibrAcoustic + Bask heated surface - 1224-VBW
- Whirlpool - 1224-0
- Whirlpool + heater - 1224-H
- Whirlpool + Bask heated surface - 1224-W1

### Recommended Products/Accessories

K-1234 Removable Apron  
K-7161-AF Bath Drain  
K-9695 5-Jet Trim Kit  
K-24916 Wireless Music Kit  
K-37380 30" Rough-in Cable Bath Drain  
K-37383 30" Rough-in Cable Bath Drain



### Codes/Standards






ASME A112.19.7/CSA B45.10  
CSA B45.5/IAPMO Z124  
ASTM E162  
ASTM E662  
UL 1795

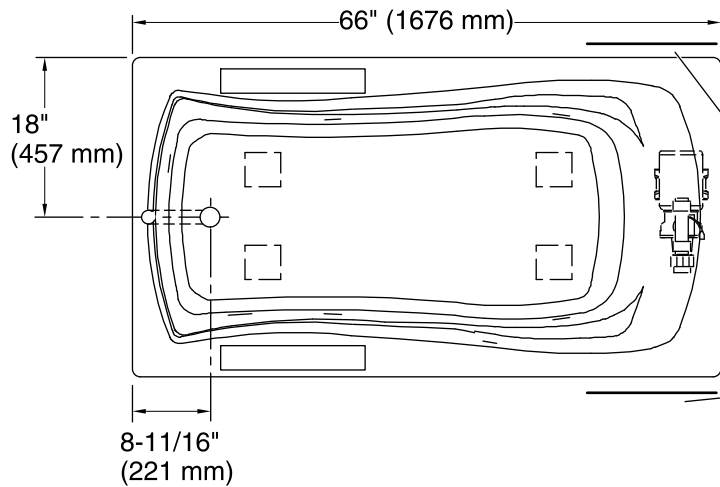
**KOHLER® Plastic Baths and Receptors  
Lifetime Limited Warranty  
KOHLER® Hydrotherapy Components  
Five-Year Limited Warranty**

See website for detailed warranty information.

### Available Colors/Finishes

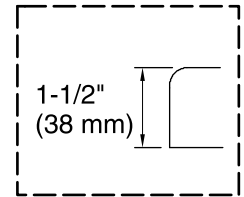
*Color tiles intended for reference only.*

Color	Code	Description
	0	White
	96	Biscuit
	47	Almond
	NY	Dune
	G9	Sandbar



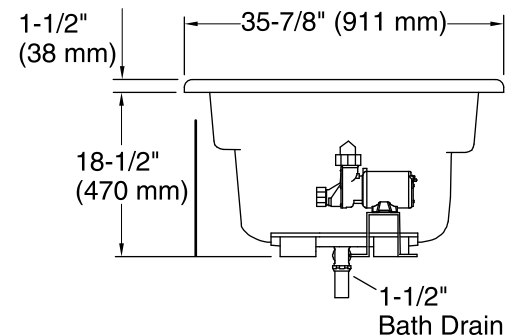
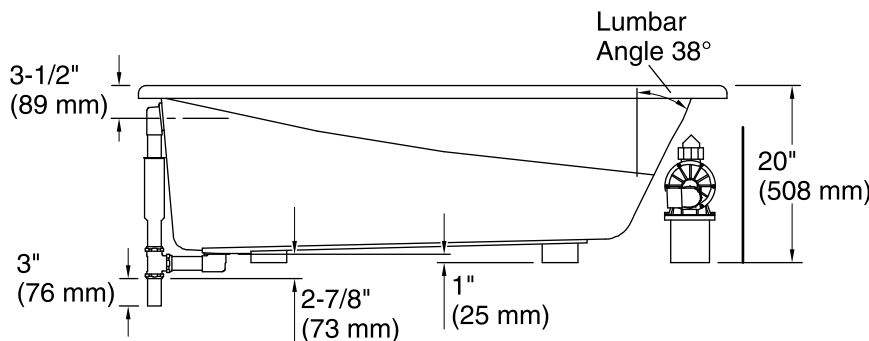
No change in measurements if connected with drain illustrated. (K-7161-AF)

□ Recommended Faucet Location



**Drop-in Rim Detail**

Pump/Control Access  
(if apron is not used)  
30" (762 mm) W x 15" (381 mm) H



### Required Electrical Service

One dedicated circuit required, protected with Class A Ground-Fault Circuit-Interrupter (GFCI). Outside North America, this device may be known as a Residual Current Device (RCD).

Pump, Heated            120 V, 15 A, 60 Hz  
Surface:

### Technical Information

All product dimensions are nominal.

Installation:	Drop-in
Drain location:	End
Basin area, bottom:	48" x 24" (1219 mm x 610 mm)
Basin area, top:	59" x 30" (1499 mm x 762 mm)
Weight:	116 lbs (52.6 kg)
Minimum floor load:	48 lbs/ft <sup>2</sup> (234.4 kg/m <sup>2</sup> )
Water depth:	14" (356 mm)
Water capacity:	67 gal (253.6 L)
Cutout:	Drop-in, 64" x 34" (1626 mm x 864 mm)
Electrical component rating:	Pump: 120 V, 7.5 A, 60 Hz Heated Surface: 120 V, 1.1 A, 60 Hz, 65 W
Pump speed:	Single

### Notes

Measure your actual product for rough-in details. Install this product according to the installation instructions.

The hot water supply should be 70% of the capacity of the bath or greater. Installations will vary.

If installing a rim-mount faucet, make sure there is no interference above or below the deck before drilling any holes.