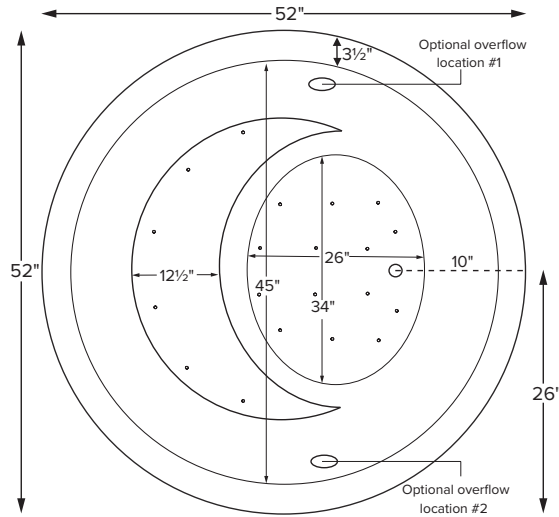


Jasmine 3

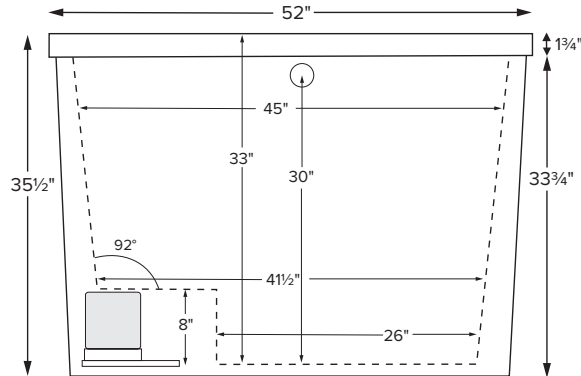


Features integral seat

MODEL 134
52" x 52" x 35.5"
FREESTANDING 160 gal to overflow
Acrylic CXL®
123 lbs / 56 kg soaker
Filling this tub to the maximum may require an above average size or dedicated water heater.



Shown with Air Massage Package.



IMPORTANT

Consider and select location of overflow when ordering and planning installation. See drawing and "Important Ordering & Installation Information".



Access panel
7 1/8" x 9 1/8"

Air bath includes secondary access panel.



Access panel
10" x 20"

ELECTRICAL COMPONENTS & SPECIFICATIONS

Hydrotherapy Package	Components Included	110V GFCI
Air Massage	heated blower	1-15 amp
Air Massage Elite	heated blower, chromatherapy	1-15 amp

Electrical requirements may change with the addition of optional therapy components.
See specific option details or installation information.
CSA Certified C/US; B45.5/IAPMO ANSI Z124.1 and ANSI 112.19.7

See the Installation & Operation Manual for more details.
MTI's Customer Service: Monday-Friday 8am-6pm EST
800-783-8827 or service@mtibaths.com

IMPORTANT ORDERING & INSTALLATION INFORMATION:

- Before ordering or installing, please consider future access to equipment.
- Includes cable-driven drain kit with factory-installed overflow.
- Must indicate overflow location #1 or #2 on order; see line drawing above.
- This freestanding tub comes equipped with a visible access panel behind the overflow. Please plan for this when positioning the tub for final installation.
- Radiance placed on floor locations will affect placement of air jets.
- Faucet valves cannot be installed on this tub model.
- Textured bottom is compliant with ASTM C 1028-07 friction coefficient.

- Before discarding tub packaging, check for accessories that may be packaged inside.
- All product measurements are ±1/2".
- Specifications and configurations are subject to change without notice.
- Measurements herein supersede all others published prior to publication date below.



Jasmine 3
MODEL 134
52" x 52" x 35.5"

Hydrotherapy Packages	Package Contents	Part #	MSRP
Soaker	Soaking bath - no jets; textured bottom, chrome cable-driven drain with factory-installed overflow, and pre-leveled foam base.	S134	\$7,565
Air Massage	20 air jets, heated air blower, chrome cable-driven drain with factory-installed overflow, and pre-leveled foam base, textured bottom.	AST134	\$10,850
Air Massage Elite	30 air jets, heated air blower, Chromatherapy LED lighting, chrome cable-driven drain with factory-installed overflow, and pre-leveled foam base, textured bottom.	AE134	\$12,560

RECOMMENDED SENSORY THERAPIES

Chromatherapy

(LE) **\$800** underwater lighting
2 LED lights included

Audiotherapy

(STEREOBT) **\$1,390** 2 transducers
with bluetooth and amplifier
(BTREMOTE) **\$600** bluetooth remote

(STEREOH202) **\$1,575** 4 transducers
amplifier not included

Thermaaltherapy

(RAD100) **\$1,595** Radiance®
2 heated zones included

Options *Must be ordered at time of purchase*

Standard Colors White (CWH)

Quick Ship reduces lead time (QSPRI) **\$430**
Please call for availability

Virtual Spout high-flow integrated tub filler (FPMJ) **\$450**

Accessories

Pillows from **\$180**

Teak Bath Mat (TKMAT3018) **\$815**
Custom sizes also available. Contact MTI for details and pricing.

Floor-Mounted High-Flow Tub Filler

Contemporary
Chrome (FILLC) **\$1,480**
Brushed Nickel (FILLBN) **\$1,710**

Drains & Overflow Kits

Cable Driven

Drain Finishes – PVC Drain Kit
Chrome (WOCD) included

Finish Upcharge

White/Biscuit (WOCDWU) **\$40**
Brushed Nickel (WOCDBNU) **\$120**
Polished Nickel (WOCDPNU) **\$210**
Oil-Rubbed Bronze+ (WOCBORU) **\$210**
Polished Brass (WOCDBRU) **\$210**
Special Finishes* (WOCDSFU) **\$710**

MTI does not offer a brass body cable drain kit.



- Overflow is installed at the factory.
- Drain kit is concealed between tub walls.
- Access panel behind overflow on this tub model facilitates drain installation.

* MTI has selected an oil-rubbed bronze finish that is compatible with Delta and many other manufacturers. To ensure best match, order as a Special Finish and submit a sample.
* Allow 2-4 weeks lead time for Special Finishes. Send sample for best match.

