

# MT670-2

## MOUNTAIN CHILL® WATER CHILLER

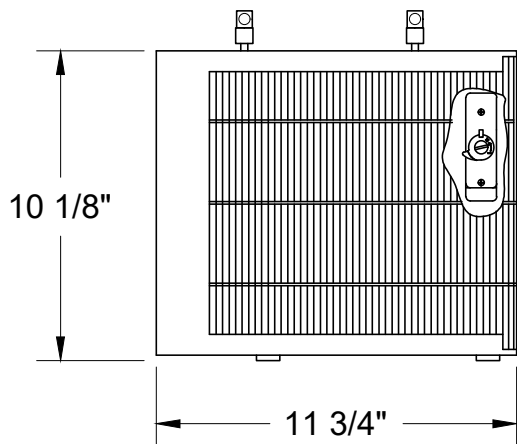
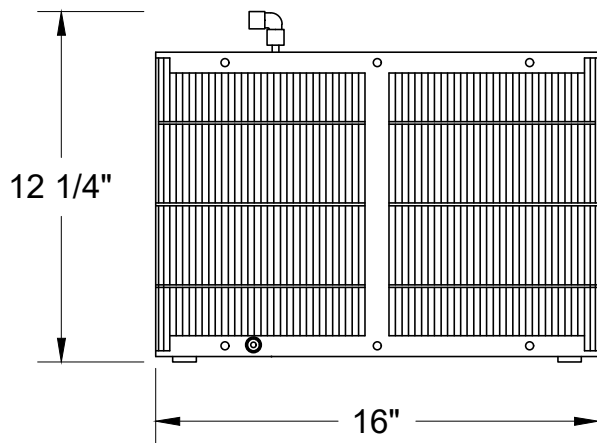
### SPECIFICATION SHEET



A McAlpine Company

# Mountain

Plumbing Products



- 1/2 GALLON STAINLESS STEEL TANK
- CHILLS WATER TO BETWEEN 39.2° TO 50° F
- SUPPLIES UP TO 3 GALLONS OF CHILLED WATER PER HOUR
- WHISPER QUIET OPERATION
- ADJUSTABLE THERMOSTAT
- CAN CONNECT TO 1/4" OR 3/8" TUBING
- C-UL-US, CE CB CERTIFIED

#### ELECTRICAL / REFRIGERANT

- 100-115 VAC, 60Hz, 75W (0.2 kw.hr/24hr), 1.2Amps
- SINGLE PHASE MOTOR
- R134a REFRIGERANT / 1.2oz CHARGE

#### **WARRANTY**

THREE YEAR COMPRESSOR WARRANTY. WARRANTY SUBJECT TO PROPER INSTALLATION AND USE.

SPECIFICATIONS SUBJECT TO CHANGE WITHOUT NOTICE