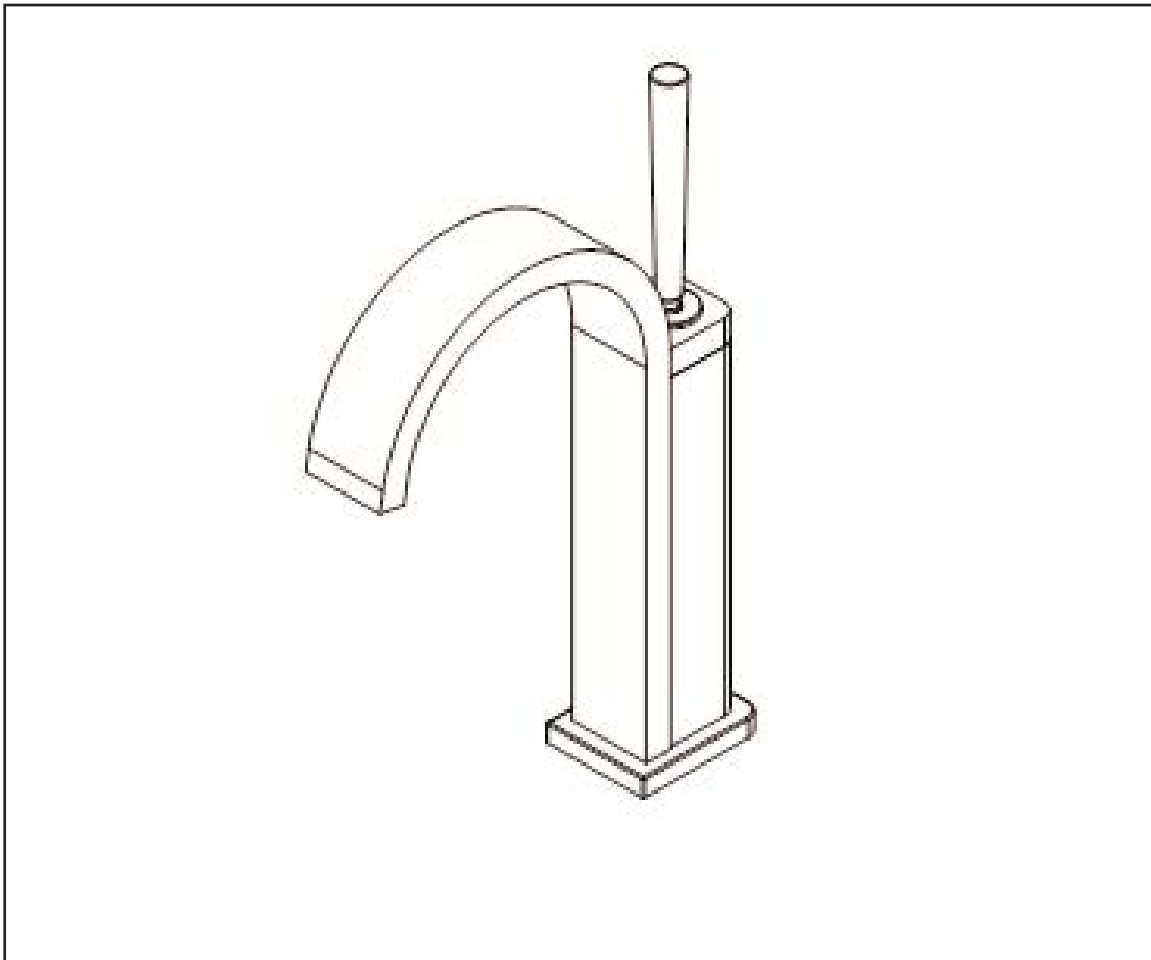


SECANT

SINGLE HOLE FAUCET INSTALLATION INSTRUCTIONS Model No: 2043



NEWPORT BRASS

Flawless Beauty. From Faucet to Finish.¹

2001 CARNEGIE AVE, SANTA ANA CA 92705

(949) 417-5207

WWW.NEWPORTBRASS.COM

Recommended Installation by a Professional Plumbing Contractor

Note: The use of petroleum base plumbers putty on our products will nullify the warranty. We recommend the use of clear silicone sealing materials. Recommended deck thru hole \varnothing 1-3/8" to 1-1/2".

1. Insert hoses through deck hole one at a time, and secure spout into place with **MOUNTING STUD, MOUNTING CRESCENT** and **MOUNTING NUT**. **See Figure 1.**
2. Attach hot/cold spout supply hoses to valves in the wall. **See Figure 2.**
3. Drain assembly not included with I203-1. Remove **FLANGE, RUBBER WASHER, STEEL WASHER**, and discard drain **CAP COVER** from drain assembly. Place **RUBBER WASHER** into **FLANGE**. Then, place **FLANGE** through the sink hole (Clear silicone may be used in place of **RUBBER WASHER**). From underside of sink, install **CONE WASHER, STEEL WASHER**, and **LOCK NUT** into **FLANGE**. Thread **LOCK NUT** firmly. Thread **TAILPIPE** to **FLANGE** assembly and assemble **TAILPIPE** to existing P-Trap. **See Figure 3.**
4. Turn on water supply, and flush system until water is clear. Check for leaks and make any final adjustments required.

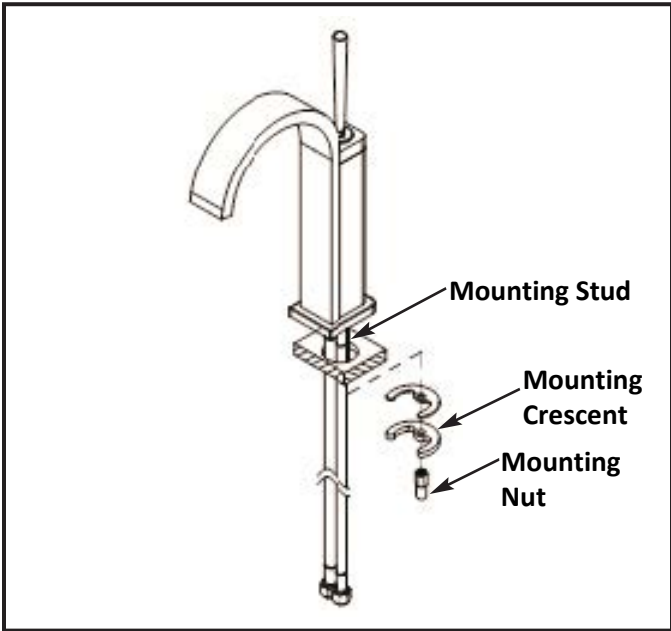


Figure 1

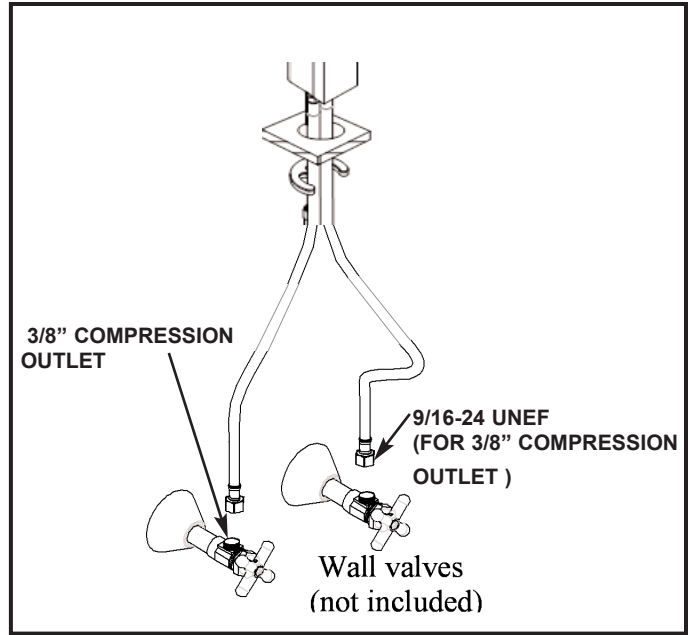


Figure 2

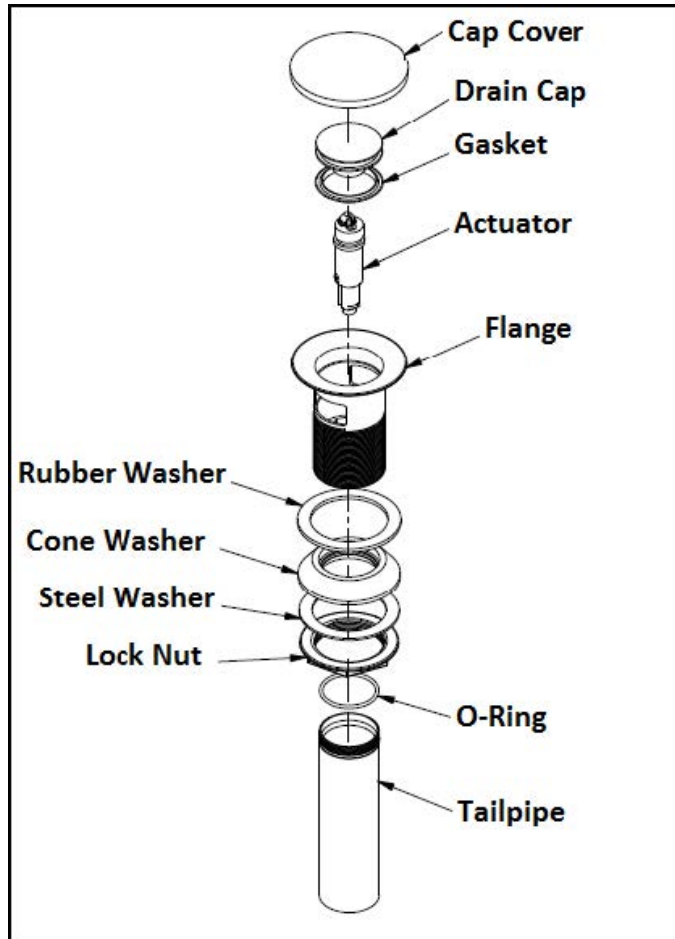


Figure 3