

NEWPORT BATH

Features

- Solid brass construction
- 6.90" (17.5 cm) spout length
- 3/4" NPT inlet fitting (1/2" bushing included)
- Complements Ithaca product series

Wall Tub Spout

3-427

Codes / Standards Compliance

Meets or exceeds the following at date of manufacture:

- All applicable US Federal and State material regulations



Colors / Finishes

- 10B: Oil Rubbed Bronze
- 15: Polished Nickel
- 15S: Satin Nickel - PVD
- 26: Polished Chrome
- Other: Refer to the Newport Brass catalog for additional color/finish options.

Specified Model

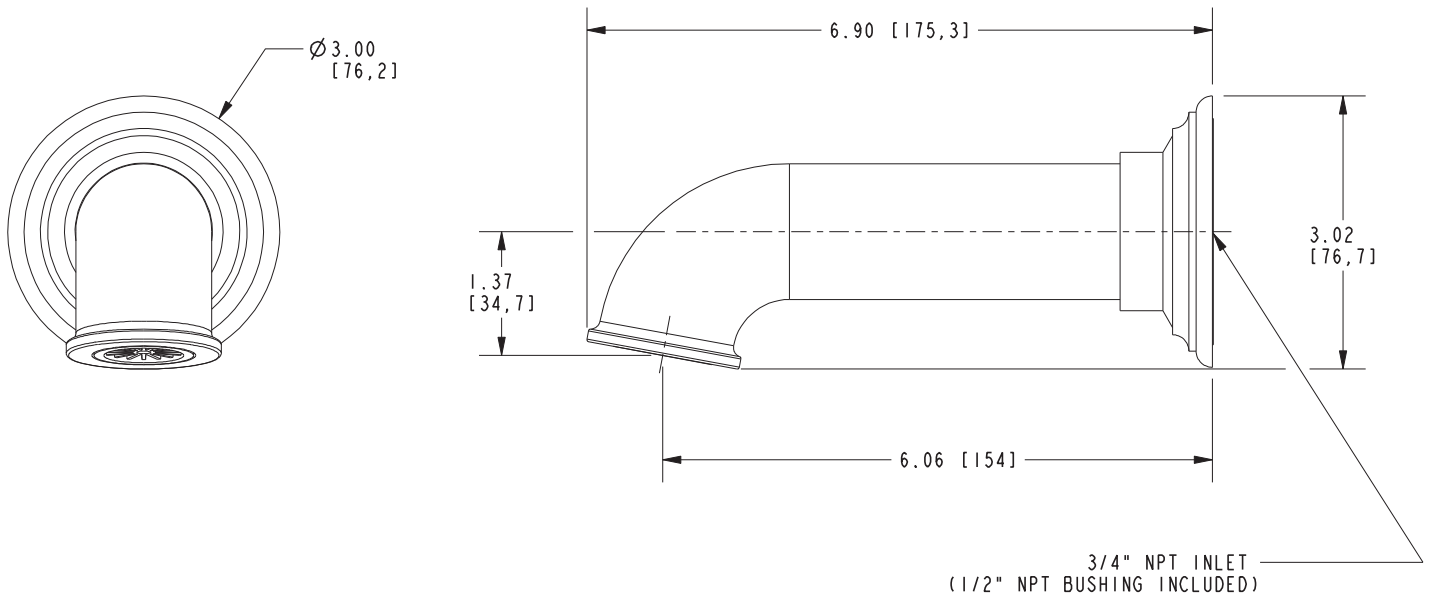
Model	Description	Colors Finishes				
3-427	Wall Tub Spout	<input type="checkbox"/> 10B	<input type="checkbox"/> 15	<input type="checkbox"/> 15S	<input type="checkbox"/> 26	<input type="checkbox"/> Other

Product Specification Add "Color / Finish" suffix to Model number, below.

The Wall-Mounted Tub Spout shall be made of solid brass construction. Tub spout shall have a length of 6.90" (17.5 cm) and incorporate a 3/4" NPT inlet fitting (adaptable to 1/2" NPT via included adapter). Tub Spout shall be Newport Brass Model 3-427/____.

3-427

PRODUCT DIMENSIONS *(Units are in inches)*



Newport Bath Wall Tub Spout 3-427