

Features

- Drawer fronts with integrated metal and wood handle detail
- Richly textured oak finish
- Top drawers are false front
- Bottom drawers are plumbing drawers
- Open storage shelf

Materials & Construction

- Solid wood and veneer construction
- Full plywood back panel, no cutout
- Dovetailed drawers
- Blum undermount full extension slow close slides
- Durable, moisture resistant polyurethane finish
- Adjustable leveling feet

Options

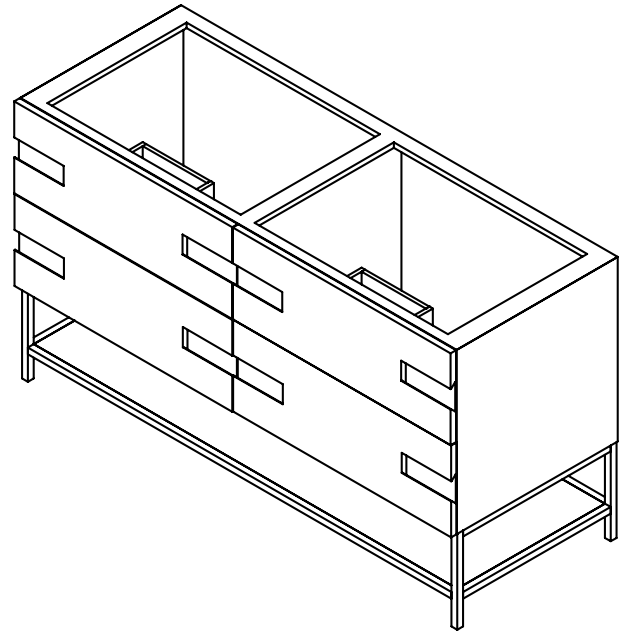
- Available in:
CVSE6020169, Natural Gray paired with Brushed Pewter
CVSE6021587, Matte Black Oak paired with Aged Brass
- Engineered Stone Tops:
TA60UCO93-8CS3
TA60UCO95-8CS3
TA60UCO96-8CS3
TA60UCO97-8CS3
TA60UCO98-8CS3
TA60UCO99-8CS3
TA60UCO100-8CS3
TA60UCO101-8CS3
- Coordinating mirrors available
- Coordinating linen cabinet available

Dimensions

Width: 59"

Height: 32-7/8"

Depth: 22-1/2"



Model Number Key

PRODUCT LINE	CATEGORY	COLLECTION	WIDTH	FINISH OPTIONS	OPTIONS
C = Craft Series	V = Vanity	SE = Sendai	60"	(See above)	(See above)

Sendai 60" Vanity CVSE60

