

## 30° Short Wall Flange

### FEATURES:

- Arm measures 1-11/16" in length
- Brass construction
- 1/2" -14 NPTM outlet, 1/2" - 14 NPTF inlet
- Corrosion resistant finishes
- Wall-mounted installation

### STOCK FINISHES:

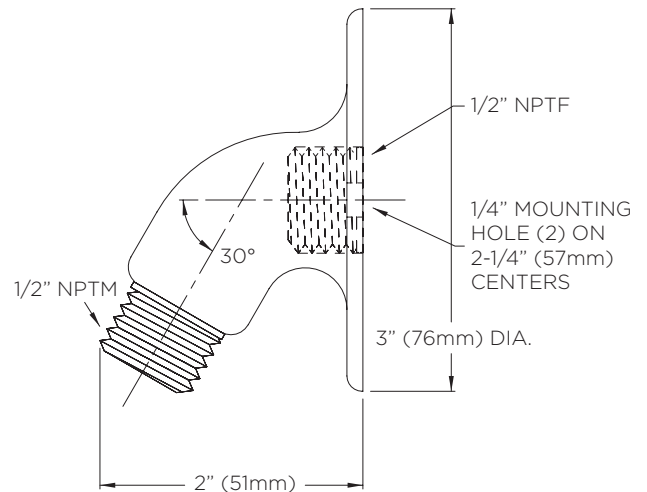


PC

### WARRANTY:

Visit [www.speakman.com](http://www.speakman.com) for full product warranty information

- Limited Lifetime Warranty (consumer)
- 1 Year Limited Warranty (commercial)



All dimensions are in inches (millimeters) unless otherwise specified and are subject to change without notice.

Architect/Engineer Approval Space:

P: 800-537-2107  
F: 800-977-2747  
W: WWW.SPEAKMAN.COM  
R: 02-NOVEMBER 2019