

## Vector® Double Paper Holder

**FEATURES:**

- Double Paper Holder measures 12" in length
- Spring-loaded paper holder
- Metal construction
- Corrosion resistant finishes
- Mounting hardware is included
- Coordinates with Vector Collection

**STOCK FINISHES:**

PC MB

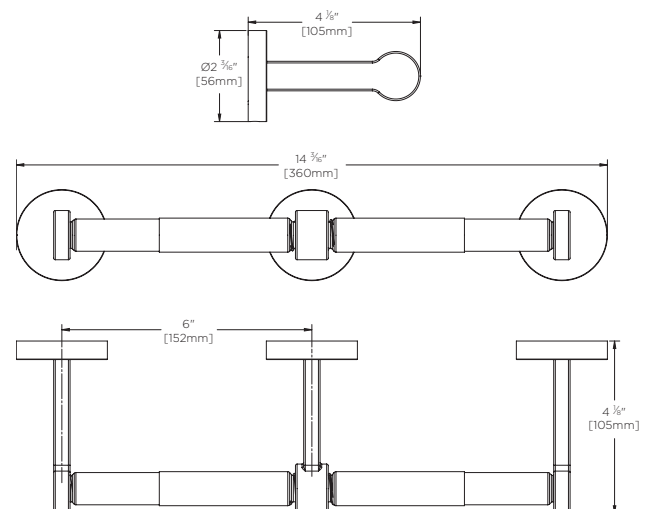
**SPECIALTY FINISHES:**

PB PN

**WARRANTY:**

Visit [www.speakman.com](http://www.speakman.com) for full product warranty information

- 1 Year Limited Warranty (commercial)
- Limited Lifetime Warranty (residential)



1. All dimensions are in inches (millimeters) unless otherwise specified and are subject to change without notice.

Architect/Engineer Approval Space:

P: 800-537-2107  
 F: 800-977-2747  
 W: WWW.SPEAKMAN.COM  
 R: 03-JANUARY 2020