

Lura® Reserve Paper Holder

FEATURES:

- Metal construction
- Corrosion resistant finishes
- Mounting hardware included
- Coordinates with Lura Collection

STOCK FINISHES:

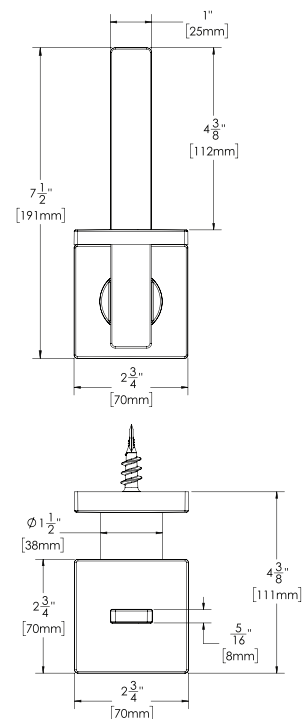


PC MB BBZ

WARRANTY:

Visit www.speakman.com for full product warranty information

- Limited Lifetime Warranty (consumer)
- 1 Year Limited Warranty (commercial)



All dimensions are in inches (millimeters) unless otherwise specified and are subject to change without notice.

Architect/Engineer Approval Space:

P: 800-537-2107
 F: 800-977-2747
 W: WWW.SPEAKMAN.COM
 R: 01-MARCH 2020