

Features

- Drop-in installation
- Grade A vitreous china with a hard, glossy finish
- 8" widespread faucet holes
- Center drain and overflow



ADA

Codes/Standards



ASME A112.19.2/CSA B45.1
ADA
ICC/ANSI A117.1

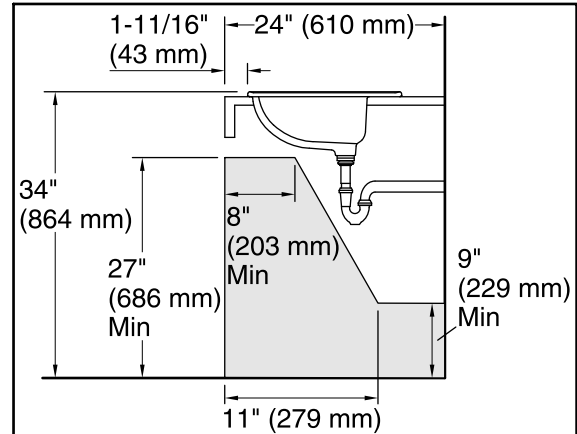
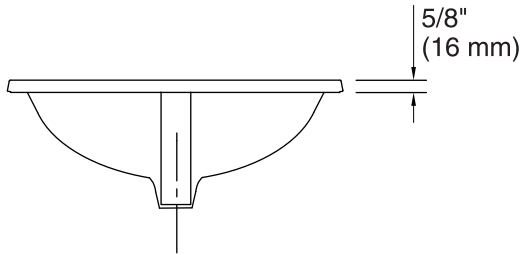
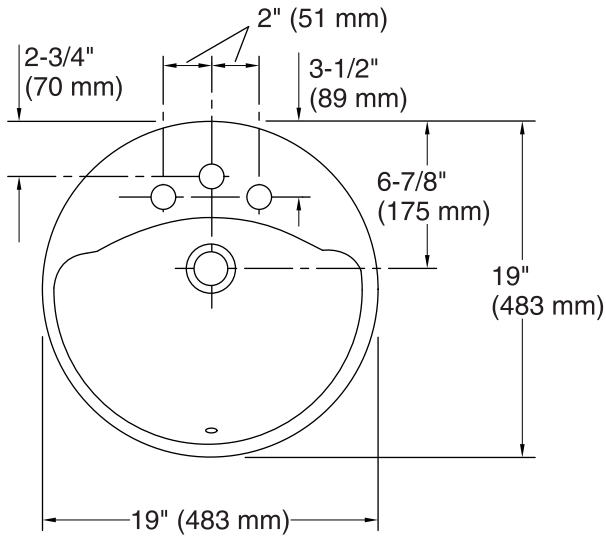
STERLING® Warranty - Toilets and Lavatories

See website for detailed warranty information.

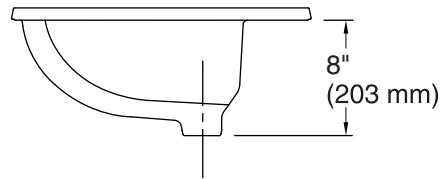
Available Colors/Finishes

Color tiles intended for reference only.

Color	Code	Description
	0	White
	96	KOHLER Biscuit



Recommended ADA Installation



Technical Information

All product dimensions are nominal.

- Bowl configuration: Single
- Installation: Drop-in
- Bowl area (Only): Length: 15-3/4" (400 mm)
Width: 12-5/8" (321 mm)
Water depth: 4-7/8" (124 mm)
- Number of deck holes: 3
- Faucet hole spacing: 8" (203 mm)
- Faucet hole(s): 1-3/16" (30 mm)
- Drain hole: 1-3/4" (44 mm)
- Template: 1003766-7, required, included

Notes

- Install this product according to the installation instructions.
- Measure your actual product for roughing-in details.
- ADA compliant when installed to the specific requirements of these regulations.