



Stinson® Under-mount Bathroom Sink 442007-U

Features

- Crafted of Grade A vitreous china to provide a durable, non-porous product with a hard, glossy finish
- Center drain with overflow
- Modern rectangular shape
- No faucet holes to accommodate either wall-mount or countertop faucets
- Limited 5-year warranty

Included Components

Additional Components:
1193643 Basin Clamps



ADA

Codes/Standards




ASME A112.19.2/CSA B45.1
ADA
ICC/ANSI A117.1

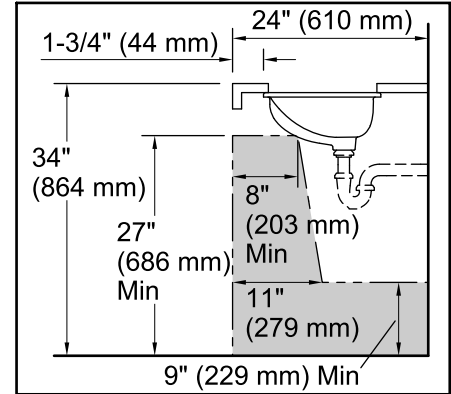
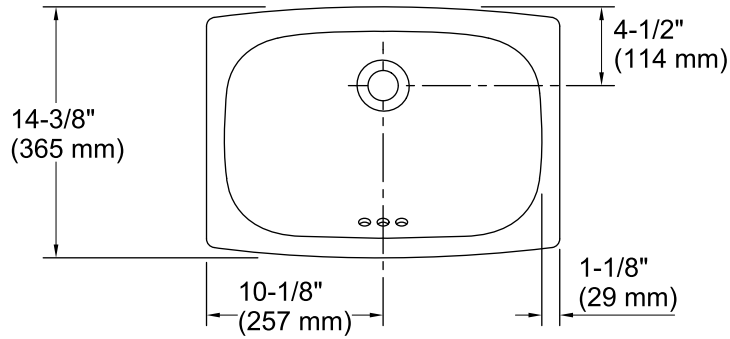
STERLING® Warranty - Toilets and Lavatories

See website for detailed warranty information.

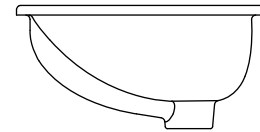
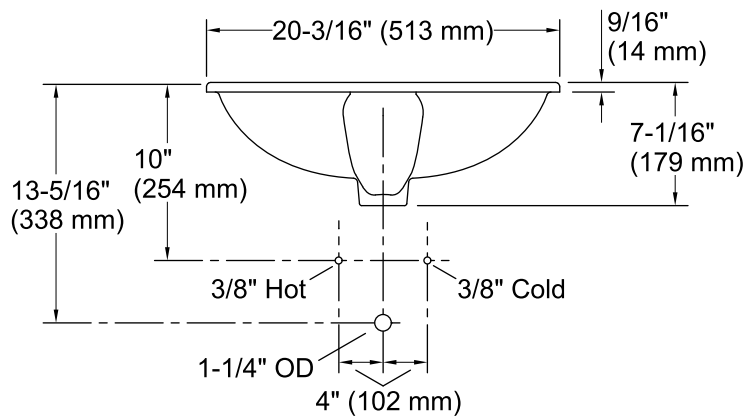
Available Colors/Finishes

Color tiles intended for reference only.

| Color | Code | Description |
|--|------|----------------|
|  | 0 | White |
|  | 96 | KOHLER Biscuit |
|  | 47 | Almond |



Recommended ADA Installation



Technical Information

All product dimensions are nominal.

- Bowl configuration: Single
- Installation: Under-mount
- Bowl area (Only): Length: 18-3/16" (462 mm)
Width: 12-3/16" (310 mm)
Water depth: 5" (127 mm)
- Drain hole: 1-11/16" (43 mm)

Notes

- Install this product according to the installation instructions.
- Measure your actual product for roughing-in details.
- ADA compliant when installed to the specific requirements of these regulations.