



Finesse™ Peak®

frameless sliding bath door
542808-59

Features

- Frameless
- 5/16" glass
- CleanCoat technology
- Vertical blade handles
- Out-of-plumb adjustability
- Tempered glass ensures maximum safety and durability
- Stainless steel hardware prevents rusting and corrosion

Installation

- Not for use in hospitality.
- For residential use only.

Included Components

Additional Components:
Hardware kit



Codes/Standards

ANSI Z97.1
CPSC 16CFR 1201

STERLING® Warranty - Bath and Shower Doors

See website for detailed warranty information.

Available Colors/Finishes

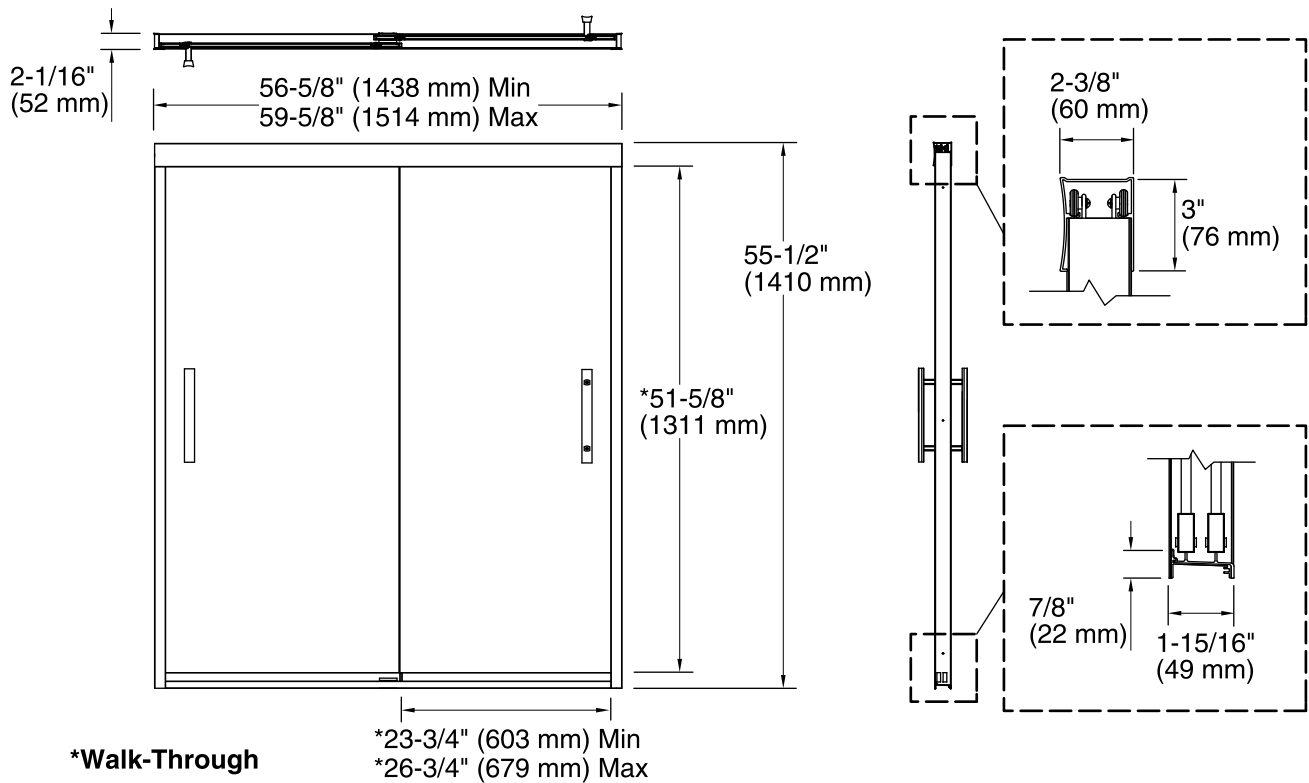
Color tiles intended for reference only.

Color	Code	Description
-------	------	-------------

DR

N

S



Technical Information

All product dimensions are nominal.

Installation type:	For bath installation
Opening style:	Sliding/Bypass
Opening Width - Min:	56-5/8" (1438 mm)
Opening Width - Max:	59-5/8" (1514 mm)
Walk-through - Min:	23-3/4" (603 mm)
Walk-through - Max:	26-3/4" (679 mm)
Glass thickness:	5/16" (8 mm)
Glass coating:	CleanCoat®

Notes

Install this product according to the installation guide.

NOTICE: The vertical opening should be a minimum of 58" (1473 mm) to allow clearance for installation.