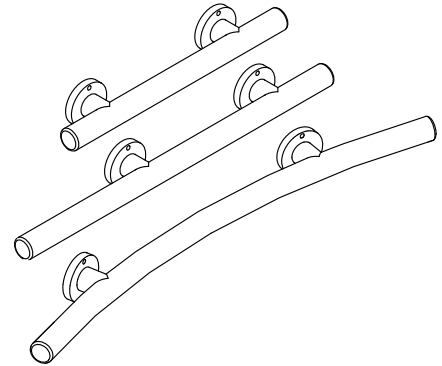




Accord®
ADA Adaptable Grab Bar Kit
71157103

Features

- Includes five stainless steel bars

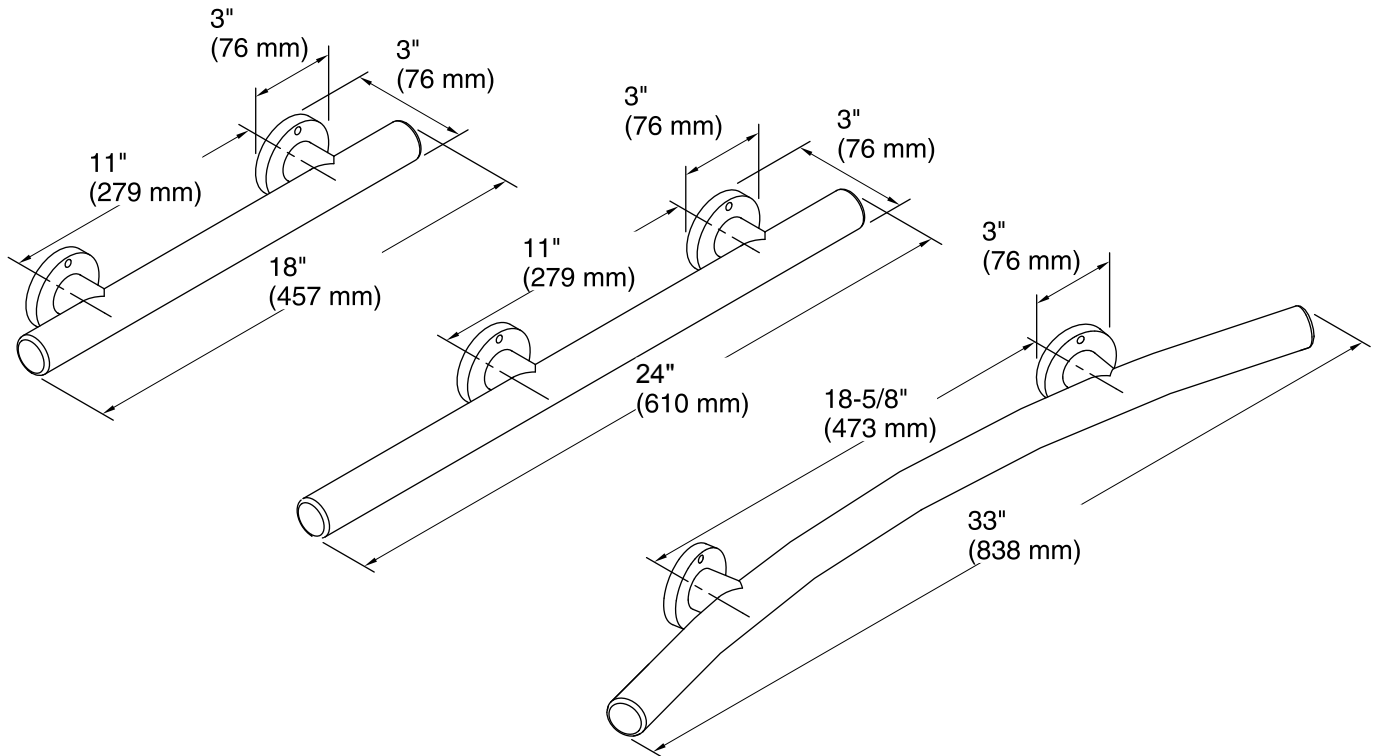


ADA

Codes/Standards

ADA
ICC/ANSI A117.1

STERLING® Warranty - Grab Bars
See website for detailed warranty information.



Technical Information

All product dimensions are nominal.

Notes

Grab bars must be properly installed to adequately support the weight of the user. Obtain backer board locations from the specification sheet for your shower wall model. Use a stud finder to verify backer board locations before installation. ADA compliant when installed to the specific requirements of these regulations.