



T&S BRASS AND BRONZE WORKS, INC.

2 Saddleback Cove / P.O. Box 1088
Travelers Rest, SC 29690

Model No.

238AH

Item No.

Travelers Rest, SC: 800-476-4103 • Simi Valley, CA: 800-423-0150 • Fax: 864-834-3518 • www.tsbrass.com

This Space for Architect/Engineer Approval

Job Name _____ Date _____

Model Specified _____ Quantity _____

Customer/Wholesaler _____

Contractor _____

Architect/Engineer _____

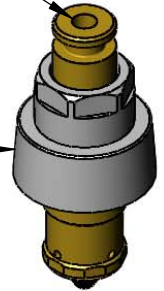


ADA Compliant

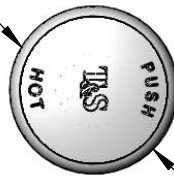
Access to Metering Adjustment (Requires 3/32" Hex Key Wrench)



238A Metering Cartridge

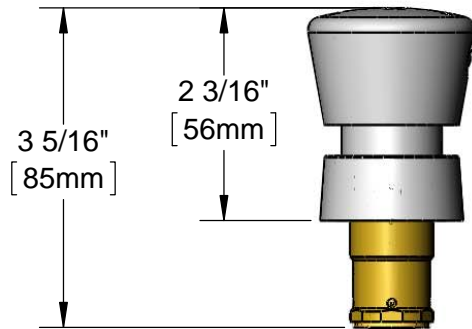


Hot Push Button w/ VR Screw & Spanner Bit



Ø 1 3/4"
[44mm]

Vandal Resistant Screw



3 5/16"
[85mm]

2 3/16"
[56mm]

Filter Washer



014734-45
#8 Spanner Bit
(Included)

Product Specifications:
238A Metering Cartridge with Hot Push Button

Drawn

DHL

Checked

DMH

Approved

JHB

Scale:

1:2

Date:

03/18/13