



# T&S BRASS AND BRONZE WORKS, INC.

2 Saddleback Cove / P.O. Box 1088  
Travelers Rest, SC 29690

Model No.

**B-1172-CR**

Item No.

Travelers Rest, SC: 800-476-4103 • Simi Valley, CA: 800-423-0150 • Fax: 864-834-3518 • www.tsbrass.com



**ADA Compliant**

This Space for Architect/Engineer Approval

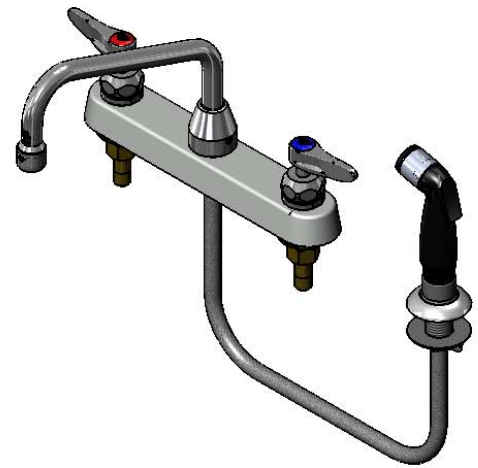
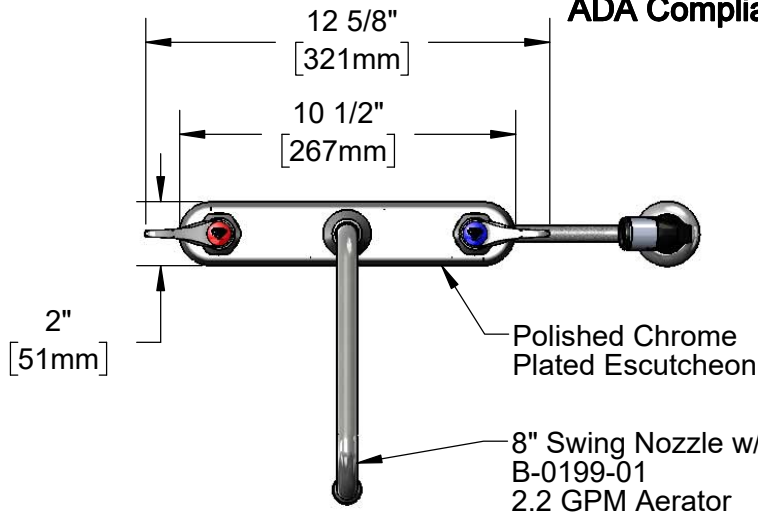
Job Name \_\_\_\_\_ Date \_\_\_\_\_

Model Specified \_\_\_\_\_ Quantity \_\_\_\_\_

Customer/Wholesaler \_\_\_\_\_

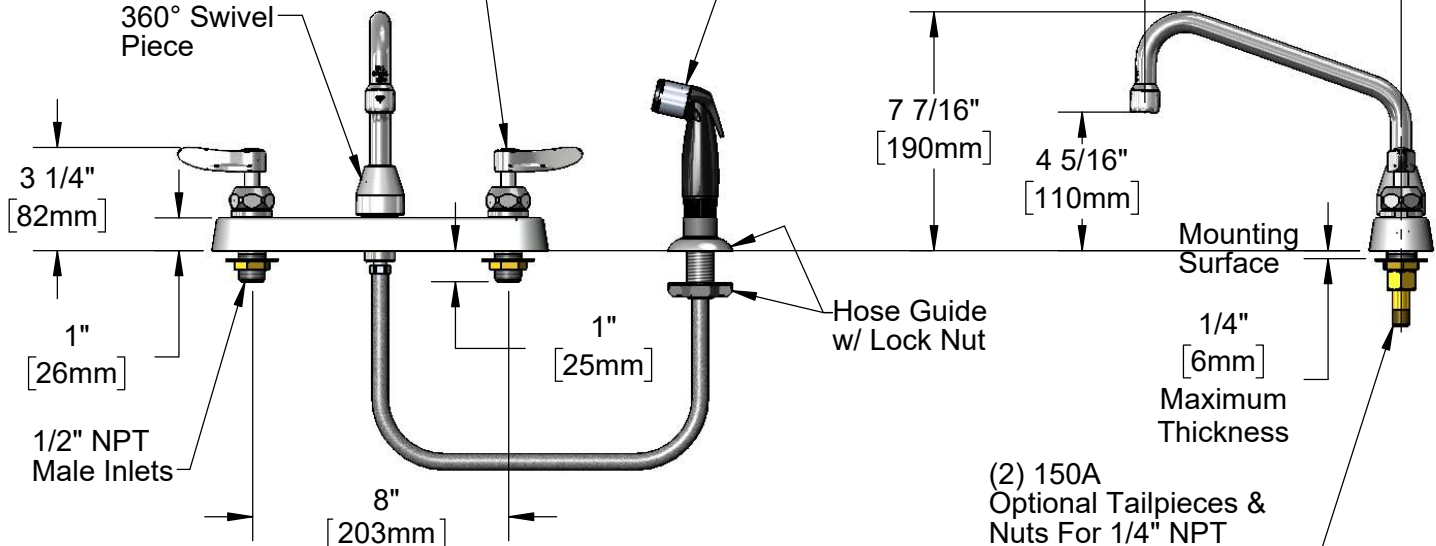
Contractor \_\_\_\_\_

Architect/Engineer \_\_\_\_\_



Quarter-Turn Cerama Cartridges w/ Check Valves & Lever Handles w/ Color Coded Indexes

Sidespray w/ 4' Vinyl Hose & Hose Guide



(2) 150A  
Optional Tailpieces & Nuts For 1/4" NPT Connections (Included)

**Rough-In Requirement:**  
Faucet: (3) Ø 1" [25mm] Mounting Holes  
Sidespray: (1) Ø 1" [25mm] Mounting Hole

**Product Specifications:**  
8" Deck Mount Workboard Faucet, Quarter-Turn Cerama Cartridges w/ Check Valves, Lever Handles, 8" Swing Nozzle, 2.2 GPM Aerator, 4' Vinyl Hose Sidespray w/ Hose Guide & 1/2" NPT Male Inlets

**Product Compliance:**  
ASME A112.18.1 / CSA B125.1  
NSF 61 - Section 9  
NSF 372 (Low Lead Content)  
ANSI A117.1 (ADA)



# T&S BRASS AND BRONZE WORKS, INC.

2 Saddleback Cove / P.O. Box 1088  
Travelers Rest, SC 29690

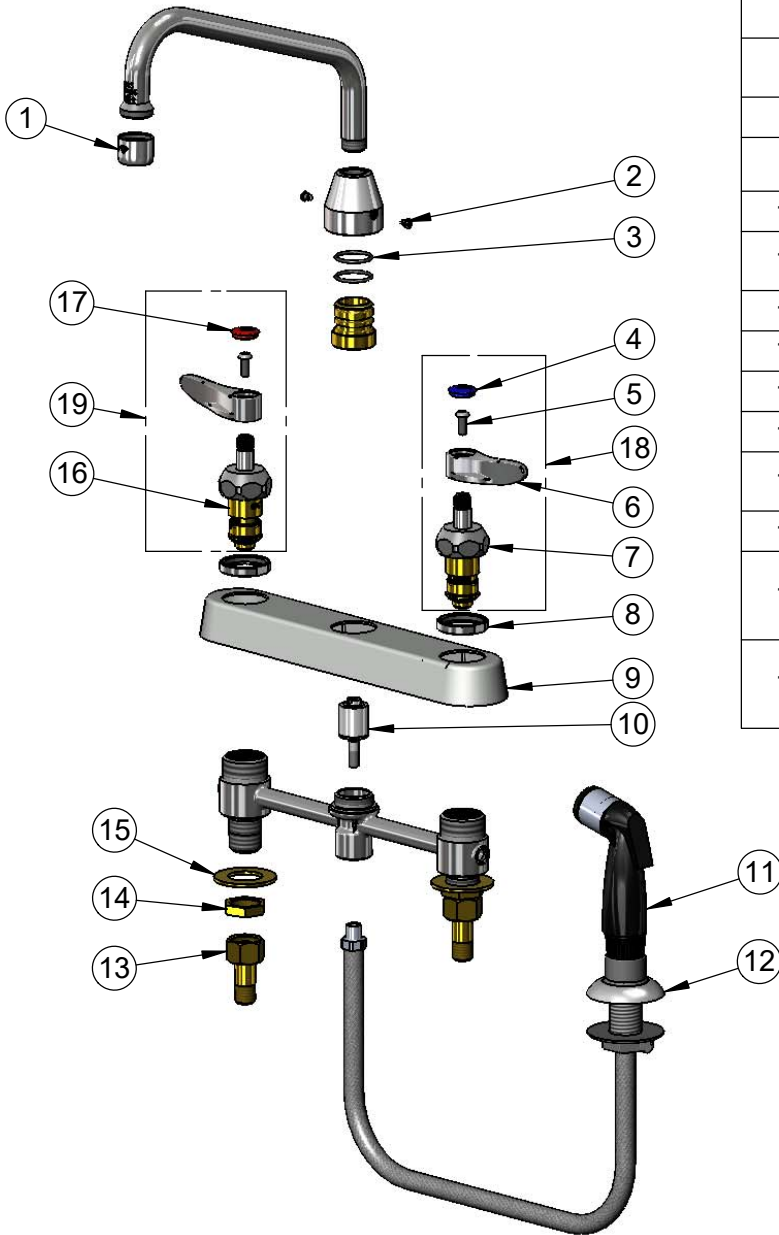
Model No.

**B-1172-CR**

Item No.

Travelers Rest, SC: 800-476-4103 • Simi Valley, CA: 800-423-0150 • Fax: 864-834-3518 • www.tsbrass.com

ITEM NO.	SALES NO.	DESCRIPTION
1	B-0199-01	2.2 GPM Aerator, 55/64"-27 UN Female
2	001486-45	Diverter Cover Screw
3	006562-45	O-ring
4	018506-19NS	Blue Button Index, Press-in
5	000925-45	Lab Handle Screw
6	001638-45NS	Lever Handle (New Style)
7	012395-25NS	Quarter-Turn Cerama Cartridge w/ Check Valve, LTC
8	019376-40	Escutcheon Lock Nut
9	019375-40	B-1120 Eterna Workboard Escutcheon
10	002338-45	Valve Diverter Piston
11	001495-45	Sidespray w/ 4' Vinyl Hose & Hose Guide
12	001496-45	Hose Guide
13	150A	1/4" NPT Tailpiece & Nut
14	002954-45	Shank Lock Nut
15	000999-45	Brass Lock Washer
16	012394-25NS	Quarter-Turn Cerama Cartridge w/ Check Valve, RTC
17	001193-19NS	Red Button Index, Press-in
18	012447-25NS	Quarter-Turn Cerama Cartridge w/ Check Valve, Handle, Blue Index & Screw, LTC
19	012446-25NS	Quarter-Turn Cerama Cartridge w/ Check Valve, Handle, Red Index & Screw, RTC



**Product Specifications:**  
8" Deck Mount Workboard Faucet, Quarter-Turn Cerama Cartridges w/ Check Valves, Lever Handles, 8" Swing Nozzle, 2.2 GPM Aerator, 4' Vinyl Hose Sidespray w/ Hose Guide & 1/2" NPT Male Inlets

**Product Compliance:**  
ASME A112.18.1 / CSA B125.1  
NSF 61 - Section 9  
NSF 372 (Low Lead Content)  
ANSI A117.1 (ADA)