



T&S BRASS AND BRONZE WORKS, INC.
 2 Saddleback Cove / P.O. Box 1088
 Travelers Rest, SC 29690

Model No.
B-2490-VF05-PA

Item No.

Travelers Rest, SC: 800-476-4103 • Simi Valley, CA: 800-423-0150 • Fax: 864-834-3518 • www.tsbrass.com



ADA Compliant

This Space for Architect/Engineer Approval

Job Name _____ Date _____

Model Specified _____ Quantity _____

Customer/Wholesaler _____

Contractor _____

Architect/Engineer _____



Pivot Action Metering Cartridge
 w/ Blank Pivot Action Cap

Loosen Vandal Resistant Screw
 (Do Not Remove). Flip Handle Up
 To Access Metering Adjustment.
 (Metering Adjustment Requires
 3/32" Hex Key)



B-0199-07-N05
 VR 0.5 GPM
 Non-Aerated
 Spray Device

Ø 1 3/4"
 [44mm]
 Base

Mounting Surface

7/8"
 [22mm]

4 11/16"
 [119mm]

4 1/8"
 [105mm]

13/16"
 [21mm]
 Maximum
 Thickness

Temperature Mixing
 Valve w/ Check Valves

3/8" Compression Female Inlets
 w/ 18" Flexible Stainless Steel
 Supply Hoses

Rough-In Requirement:
 Ø 1 1/8" [29mm] Mounting Hole

Product Specifications:

Single Hole Single Temperature Deck Mount Basin Faucet, Pivot Action
 Metering Cartridge, VR 0.5 GPM Non-Aerated Spray Device, Temperature
 Control Mixing Valve w/ Check Valves & 18" Flexible Stainless Steel Supply
 Hoses w/ 3/8" Compression Female Inlets

Product Compliance:

ASME A112.18.1 / CSA B125.1
 NSF 61 - Section 9
 NSF 372 (Low Lead Content)
 ANSI A117.1 (ADA)



T&S BRASS AND BRONZE WORKS, INC.

2 Saddleback Cove / P.O. Box 1088
Travelers Rest, SC 29690

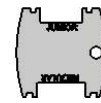
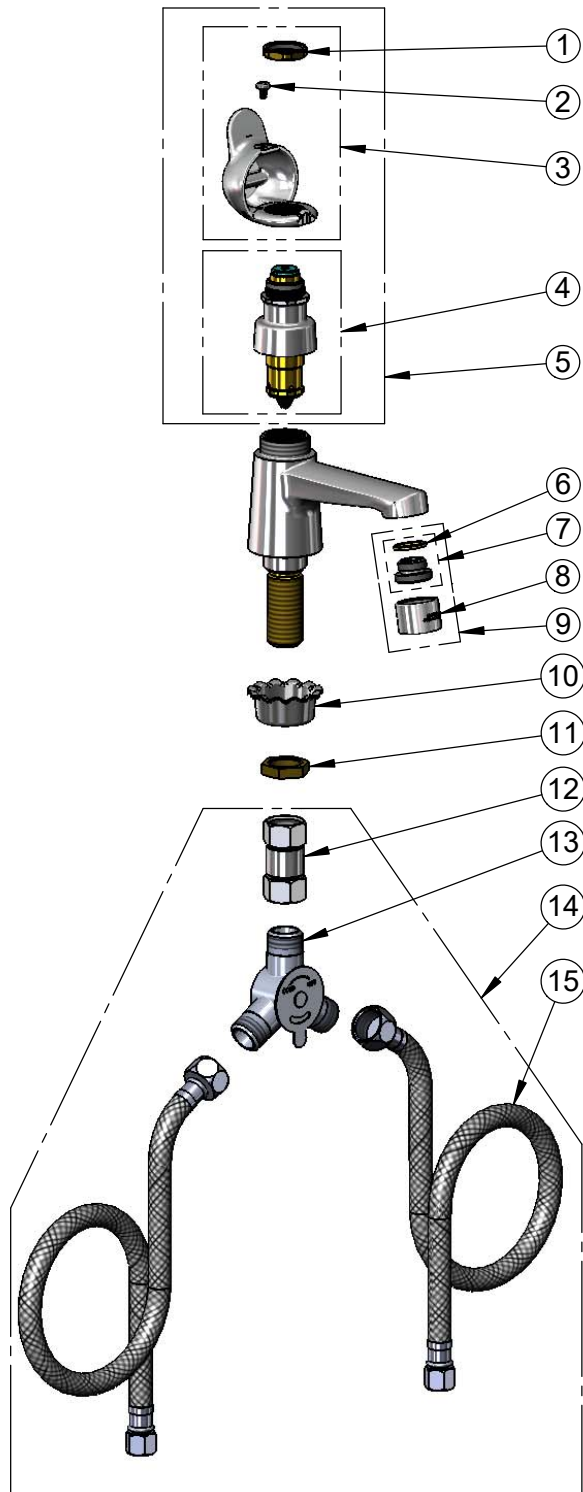
Model No.

B-2490-VF05-PA

Item No.

Travelers Rest, SC: 800-476-4103 • Simi Valley, CA: 800-423-0150 • Fax: 864-834-3518 • www.tsbrass.com

ITEM NO.	SALES NO.	DESCRIPTION
1	PA-N	Retaining Nut
2	016654-45	Vandal Resistant Stainless Steel Screw
3	PA-B	Blank Pivot Action Handle w/ Spanner Bit
4	238A	Push Button Metering Cartridge
5	238AB-PA	Pivot Action Metering Cartridge w/ Blank PA Handle & Spanner Bit
6	001043-45	Washer
7	044A	3/8" to Aerator Adapter
8	B-0199-06-N05	VR 0.5 GPM Non-Aerated Spray Device, 55/64-27 UN Female w/ Key
9	B-0199-07-N05	VR 0.5 GPM Non-Aerated Spray Device, 3/8" NPSM Male w/ Key
10	001000-45	Rosette Washer
11	002954-45	Shank Lock Nut
12	017506-45	1/2" NPSM Swivel Coupling
13	5EF-0006	Mechanical Mixing Valve
14	019806-40	Temperature Control Mixing Valve w/ Flexible 3/8" Compression Female Inlets
15	5EF-0005	Supply Hose, 9/16-24 Female x 1/2" NPSM



015425-45
Vandal Resistant Key



014734-45
#8 Spanner Bit

Product Specifications:

Single Hole Single Temperature Deck Mount Basin Faucet, Pivot Action Metering Cartridge, VR 0.5 GPM Non-Aerated Spray Device, Temperature Control Mixing Valve w/ Check Valves & 18" Flexible Stainless Steel Supply Hoses w/ 3/8" Compression Female Inlets

Product Compliance:

ASME A112.18.1 / CSA B125.1
NSF 61 - Section 9
NSF 372 (Low Lead Content)
ANSI A117.1 (ADA)