



T&S BRASS AND BRONZE WORKS, INC.

2 Saddleback Cove / P.O. Box 1088
Travelers Rest, SC 29690

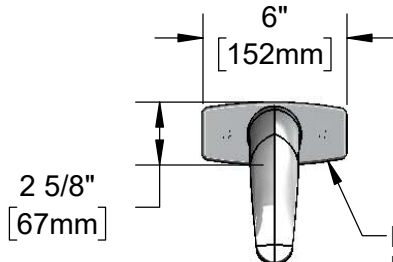
Model No.
EC-3102-TMV4V05

Item No.

Travelers Rest, SC: 800-476-4103 • Simi Valley, CA: 800-423-0150 • Fax: 864-834-3518 • www.tsbrass.com



ADA Compliant



Polished Chrome Plated Deck Plate w/ Deck Gasket

This Space for Architect/Engineer Approval

Job Name _____ Date _____

Model Specified _____ Quantity _____

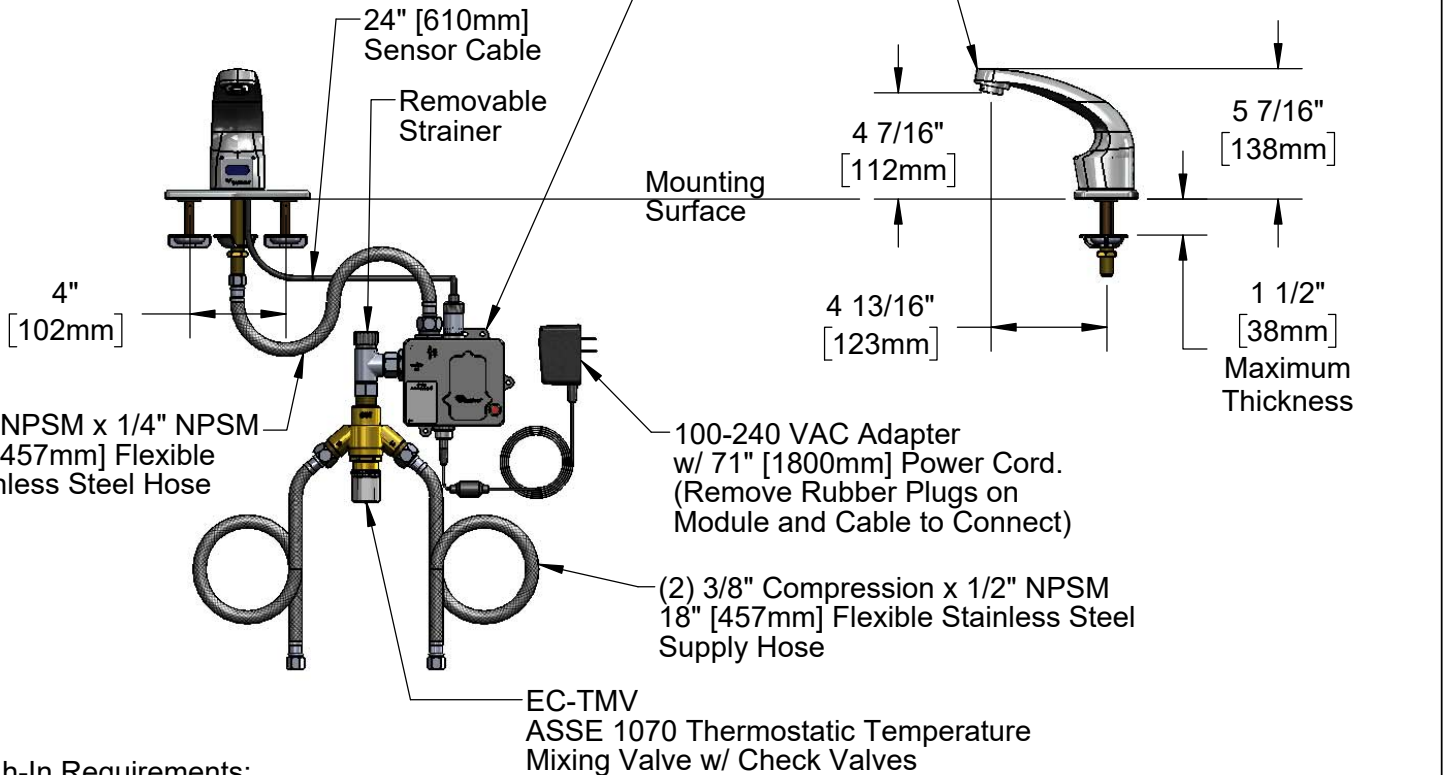
Customer/Wholesaler _____

Contractor _____

Architect/Engineer _____

3 5/8" x 4 3/16" x 2" Deep
[92mm x 106mm x 51mm]
Water Resistant Control Module Box (Grey)
w/ Internal Flow Control Setting Switches,
AC or DC Operated w/ (4) AA Batteries.
Hardwire Capable Using Terminals on Back

Solid Cast Brass Spout
w/ Polish Chrome Plated Finish &
B-0199-08-N05
VR 0.5 GPM Non-Aerated Spray
Device



Rough-In Requirements:
Ø 1-1/4" [32mm] Center Hole
(2) Ø 1 1/8" [29mm] Side Holes at 4" [102mm] c/c

Product Specifications:
Chrome Plated Brass Electronic Faucet: Single Hole Deck Mount Spout w/ VR 0.5 GPM Spray Device, AC/DC Control Module w/ Internal Flow Control Setting Switches, Thermostatic Temperature Control Mixing Valve w/ Check Valves, 18" Flixible Stainless Steel Supply Hoses & 4" c/c Deck Plate

Product Compliance:
ASME A112.18.1 / CSA B125.1
NSF 61 - Section 9
NSF 372 (Low Lead Content)
ANSI A117.1 (ADA)
UL 1951
ASSE 1070 (TMV)



T&S BRASS AND BRONZE WORKS, INC.

2 Saddleback Cove / P.O. Box 1088
Travelers Rest, SC 29690

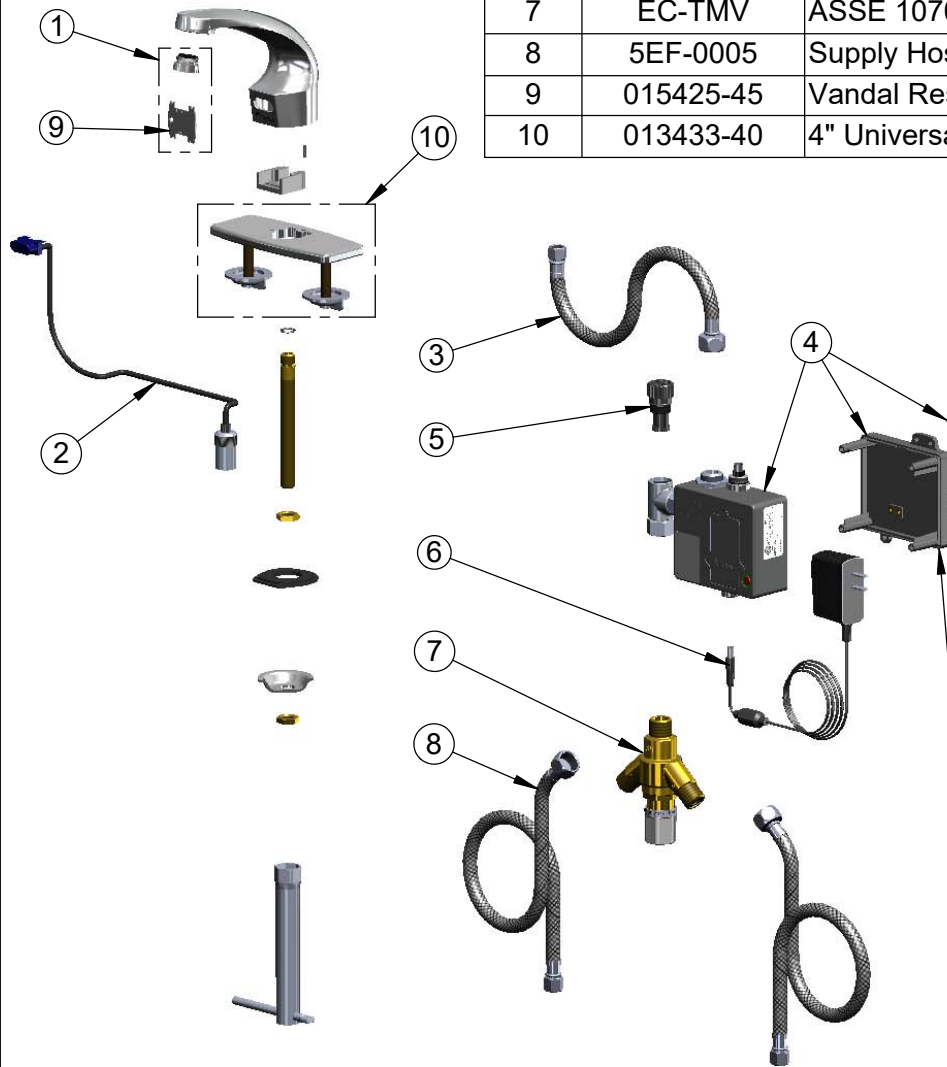
Model No.

EC-3102-TMV4V05

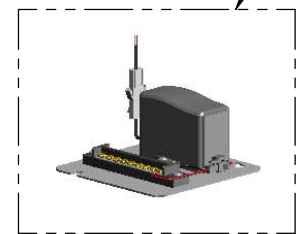
Item No.

Travelers Rest, SC: 800-476-4103 • Simi Valley, CA: 800-423-0150 • Fax: 864-834-3518 • www.tsbrass.com

ITEM NO.	SALES NO.	DESCRIPTION
1	B-0199-08-N05	VR 0.5 GPM Non-Aerated Spray Device, 13/16-27 UN Male w/ Key
2	017195-45	Angled Sensor w/ Cable
3	016297-45	Inlet Hose, Faucet, 1/2" NPSM-F x 1/4" NPSM-F
4	016647-45	ChekPoint Electronic Module (Grey)
5	EC-FILTER	Replacement Filter
6	5EF-0002	A/C Transformer
7	EC-TMV	ASSE 1070 Thermostatic Mixing Valve
8	5EF-0005	Supply Hose, 9/16-24 Female x 1/2" NPSM
9	015425-45	Vandal Resistant Key
10	013433-40	4" Universal Deck Plate, Gasket & Mounting Hardware



A Maximum of (8) ChekPoint Faucets can be Hardwire Connected and Powered by EC-HARDWIRE ChekPoint Hardwire AC Transformer. (Sold Separately)



Label for Flow Control Switch Settings is Located on Inside of Back Cover.

Flow Control Switches are Located Inside Module Housing in Black Box Next to Battery Compartment.
*Switches are Set to DEFAULT Position:
- Auto Time Out = 15 Seconds
- Shut Off Delay = 1 Second
- Auto Flush = OFF

Remove (4) Screws and Back Cover to Access Switches.

***Available Water Flow Control Selections:**

- Auto Time Out: 15 sec, 30 sec, 45 sec, 60 sec, 3 min, 20 min
- Shut Off Delay: 1 sec, 10 sec, 15 sec, 30 sec
- Auto Flush (30 Seconds After Every 12 Inactive Hours): ON or OFF

Product Specifications:

Chrome Plated Brass Electronic Faucet: Single Hole Deck Mount Spout w/ VR 0.5 GPM Spray Device, AC/DC Control Module w/ Internal Flow Control Setting Switches, Thermostatic Temperature Control Mixing Valve w/ Check Valves, 18" Flixible Stainless Steel Supply Hoses & 4" c/c Deck Plate

Product Compliance:

ASME A112.18.1 / CSA B125.1
NSF 61 - Section 9
NSF 372 (Low Lead Content)
ANSI A117.1 (ADA)
UL 1951
ASSE 1070 (TMV)