

ASSEMBLY INSTRUCTIONS

Petrel 30" Picture Light

Item # S 2723

NOTICE:

This light fixture should be installed in accordance with all applicable, local installation codes, and by a person familiar with the construction and operation of it, as well as the hazards involved. Inspect item and contents carefully. If any damage or defect is found, do not install. Retain all packaging material until installation is complete and approved.

TOOLS REQUIRED (NOT INCLUDED):

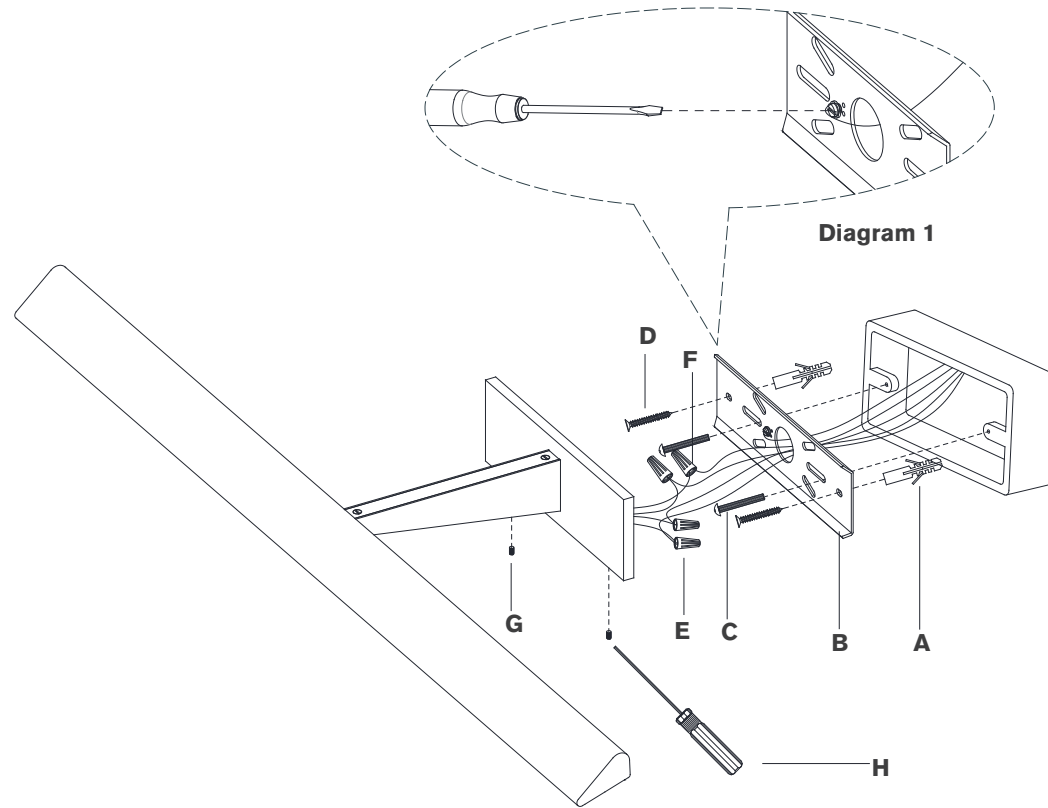
Phillips Screwdriver

Slotted Screwdriver

Drill

Hammer

Pencil



1. Carefully remove all parts from the box. Place on a clean, soft surface.
2. Remove mounting plate **(B)** from fixture by removing set screws **(G)** using provided screwdriver **(H)**.
3. Using the mounting plate **(B)** as a guide, line up with the junction box and mark anchor positions.
4. Using a drill bit slightly smaller than the anchor, drill holes in the marked positions. Install anchors **(A)** into the holes using hammer.
5. Install mounting plate **(B)** to junction box and secure with mounting screws **(C)**, then secure wood screws **(D)** to anchors **(A)**.
6. Connect supply ground wire (usually green or bare copper) around the green grounding screw (see diagram 1). Tighten.
NOTE: It is imperative that the fixture is grounded.
7. Connect fixture dimmer neutral wire (black) to supply dimmer neutral wire (usually black) using wire nut **(E)**.
8. Connect fixture dimmer hot wire (red) to supply dimmer hot wire (usually red) using wire nut **(E)**.
9. Connect fixture neutral wire (white) to the supply neutral wire (usually white) using wire nut **(F)**.
10. Connect fixture hot wire (black) to the supply hot wire (usually black) using wire nut **(F)**.

CAUTION: Do not reverse the hot and neutral connections.

ASSEMBLY INSTRUCTIONS

Petrel 30" Picture Light

Item # S 2723

NOTICE:

This light fixture should be installed in accordance with all applicable, local installation codes, and by a person familiar with the construction and operation of it, as well as the hazards involved. Inspect item and contents carefully. If any damage or defect is found, do not install. Retain all packaging material until installation is complete and approved.

11. Make sure all wire connections are tight, then carefully tuck into the junction box.
12. Install fixture to mounting plate **(B)** and secure with set screws **(G)** using provided screwdriver **(H)**.

Care Instructions: Clean only with a soft dry cloth or feather duster. Do not use abrasive or chemical agents.

