

## Tubular Plastic

### TURNSTYLE® 500-TS

For most tubs 14" - 16" high

### TURNSTYLE® 550-TS

For most tubs up to 24" high

#### 1.5" Tubular Plastic Bath Wastes Slip-Joint Assembly Now Coarse Thread

#### SPECIFICATIONS

#### FEATURES:

- Will fit most angle tubs.
- The look of a cable drive without the potential for behind-the-wall repair.
- Strainer body cover catches hair.
- Metal handle and strainer body.
- No stopper in drain elbow, therefore...
  - no stopper adjustments required
  - theft resistant
  - no stubbing-the-toe injuries
- Retainer plate for overflow elbow

#### APPROVALS:

- Manufactured in compliance with ASTM F 409-2002 and NSF/ANSI 14-2007.
- Manufactured in compliance with CSA Standard B181.1 and CSA Standard B181.2

#### PATENTS:

- U.S. Pat. 6,173,459 B1

#### OPERATION:

- Turn overflow plate clockwise to close drain and counter-clockwise to open drain.

#### THREAD SIZE (Strainer Body and Drain Elbow):

- 1½" – 11½ NPSM (Coarse Thread)
- 1.865" Major Diameter (outside thread diameter)
- 11.5 threads per inch

#### PIPING: PVC ABS

#### FINISHES:

- CP - Chrome Plated
- BN - Brushed Nickel
- BO - Bone
- BS - Biscuit
- BZ - Oil-Rubbed Bronze
- CB - Chrome Brushed
- NP - Nickel Polished
- PB - Polished Brass
- PN - Pearl Nickel
- WH - White
- WI - Wrought Iron



**Not to be used in above-the-floor rough-in.**

#### OPTIONS:

- Removable tailpiece and O-Ring Seal (Code "RT-1")
- Condensate Drain (Code "CD")
- Brass Drop Cylinder (Code "BD")
- Special lengths available:
  - Overflow extension (add code "EXlength")  
example: EX6
  - Drain extension (add code "Dlength")  
example: D4

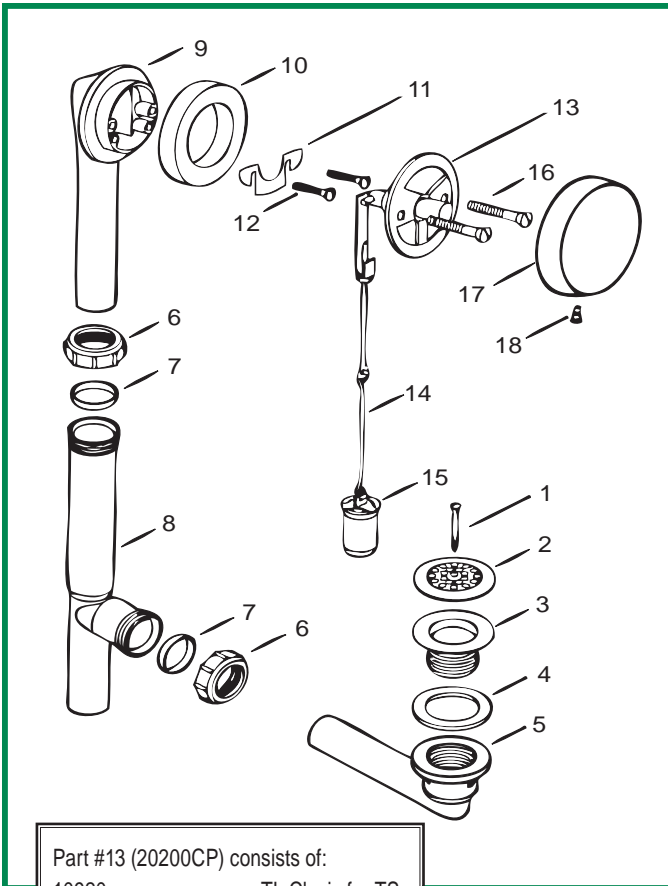
See price list for complete item numbers and available options.

When ordering, please specify complete item number and any applicable option codes.



For More Information Contact:  
**WATCO Manufacturing Company**  
1220 South Powell Road  
Independence, MO 64057-2724  
Ph. 816-796-3900 • FAX 816-796-0875  
[www.watcomfg.com](http://www.watcomfg.com)

# 500-TS/550-TS Series Parts List



Part #13 (20200CP) consists of:

- 10920 .....TL Clevis for TS
- 10932..... TS Brass Hex Nut 6-32
- 10934 .....TS SS Mach. Screw 6-32
- 10952 ..... TL Linkage Nut
- 10953 ..... Top Linkage Eye Bolt
- 20020CP .....TS OF Mount w/Prongs
- 20041.....TS Turning Pin
- 20042 .....TS Turning Pin Sleeve
- 20043 .....Cable Stop

Item	Part #	Description
1.	01040CP.....	Strainer Cover Plate Screw
2.	01006CP.....	Strainer Cover Plate
3.	11495CP.....	Zinc Strainer Body, 1 1/2" - 11.5
4.	10696.....	Drain Ell Washer, grey, 1.5"
5.	11028.....	Drain Ell, Tubular ABS
	14028.....	Drain Ell, Tubular PVC
6.	11581.....	Slip Joint Nut, white, 1 1/2"
7.	11583.....	Slip Joint Polywasher, 1 1/2"
8.	11000.....	Tee, Tubular ABS
	14000.....	Tee, Tubular PVC
9.	11003.....	Overflow Elbow, Tubular ABS
	14003.....	Overflow Elbow, Tubular PVC
10.	10675.....	Overflow Ell Washer, Foam
11.	11530.....	Retainer Plate
12.	11540.....	Retainer Plate Screw
13.	20200CP.....	TURNSTYLE® Overflow Mount
14.	10954.....	5.25" Double-Loop Wire
15.	11005.....	Drop Cylinder for ABS
	14005.....	Drop Cylinder for PVC
16.	01024CP.....	Overflow Plate Screw, 2.25"
17.	20030CP.....	Cable Overflow Plate
18.	20140.....	Cable Overflow Plate Locking Screw

## Roughing-In Dimensions:

