

111-HSPB1

Hand Shower Kit with Positioning Bar

Flow Rate: 1.75 GPM

Includes: ELB-TIT2 Wall Elbow, DS-4079 Hand Shower Hose, PB-8524 Positioning Bar and SH-SUT30 Hand Shower



Meets the applicable requirements of ASME A112.18.1-2005/CSA B125.1-05, entitled "Plumbing Supply Fittings"

WATERMARK DESIGNS 8/10/2015

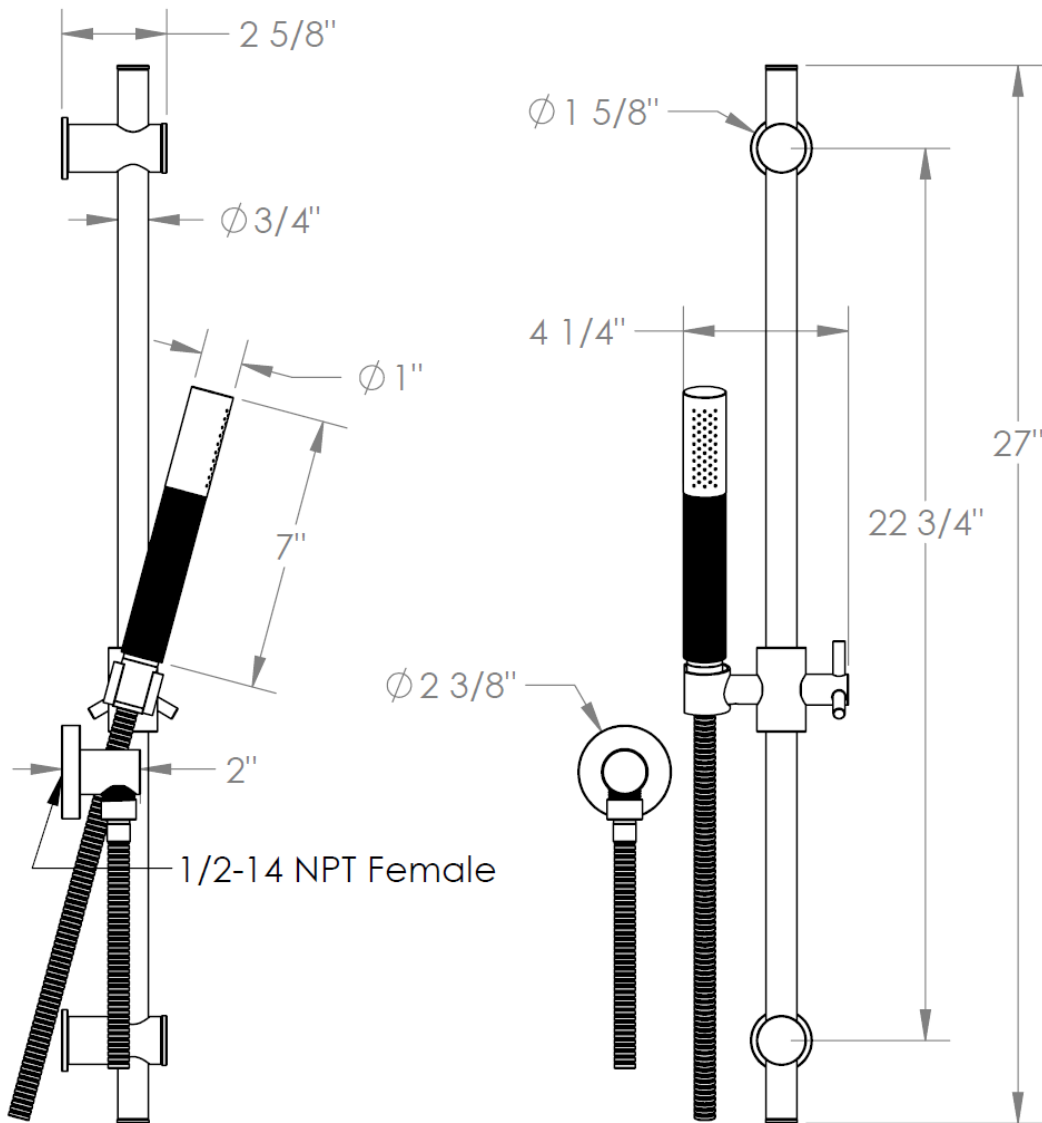
350 Dewitt Ave Brooklyn NY 11207 USA T 718 257 2800 F 718 257 2144 info@watermark-designs.com

111-HSPB1

Hand Shower Kit with Positioning Bar

Flow Rate: 1.75 GPM

Includes: ELB-TIT2 Wall Elbow, DS-4079 Hand Shower Hose, PB-8524 Positioning Bar and SH-SUT30 Hand Shower



Meets the applicable requirements of ASME A112.18.1-2005/CSA B125.1-05, entitled "Plumbing Supply Fittings"

WATERMARK DESIGNS 8/10/2015

350 Dewitt Ave Brooklyn NY 11207 USA T 718 257 2800 F 718 257 2144 info@watermark-designs.com