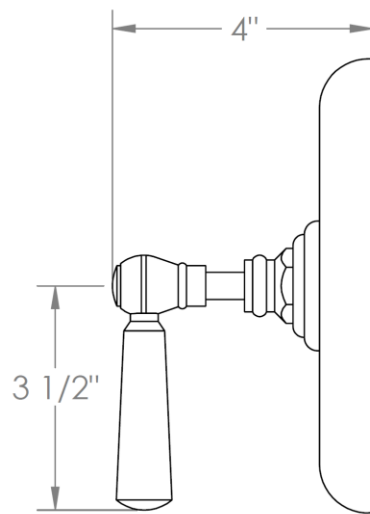
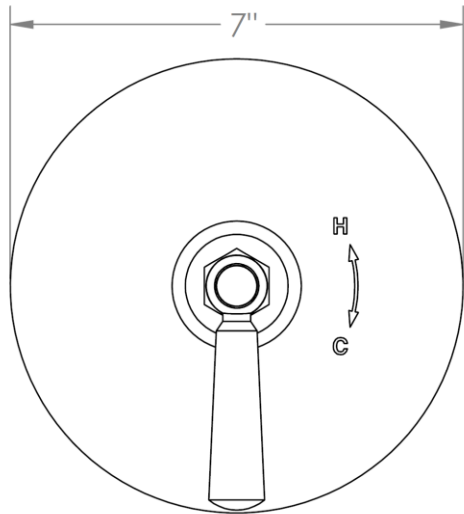
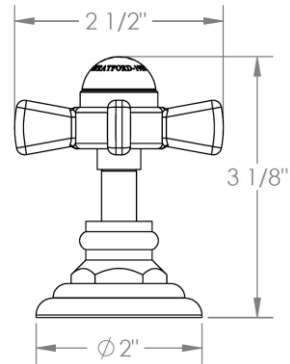


206-P80-__
Trim Kit for Pressure Balance Valve
For use with SS-PB75 concealed rough

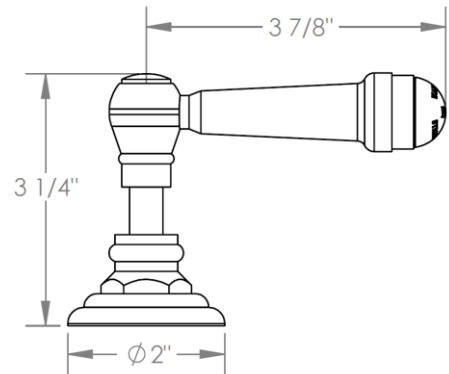


ADDITIONAL HANDLE OPTIONS

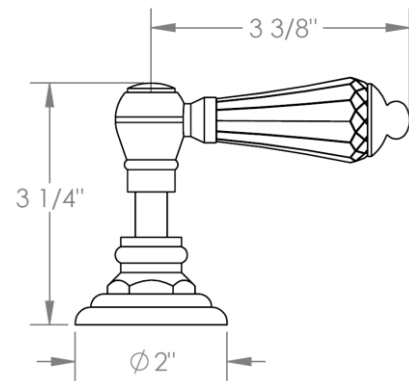
S1 - PRESTON



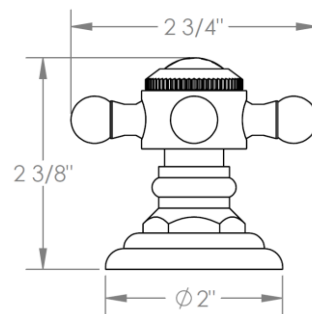
S2 - WALTHAM



SWA - DARIEN



V - WALES



S1A – NOTTINGHAM

