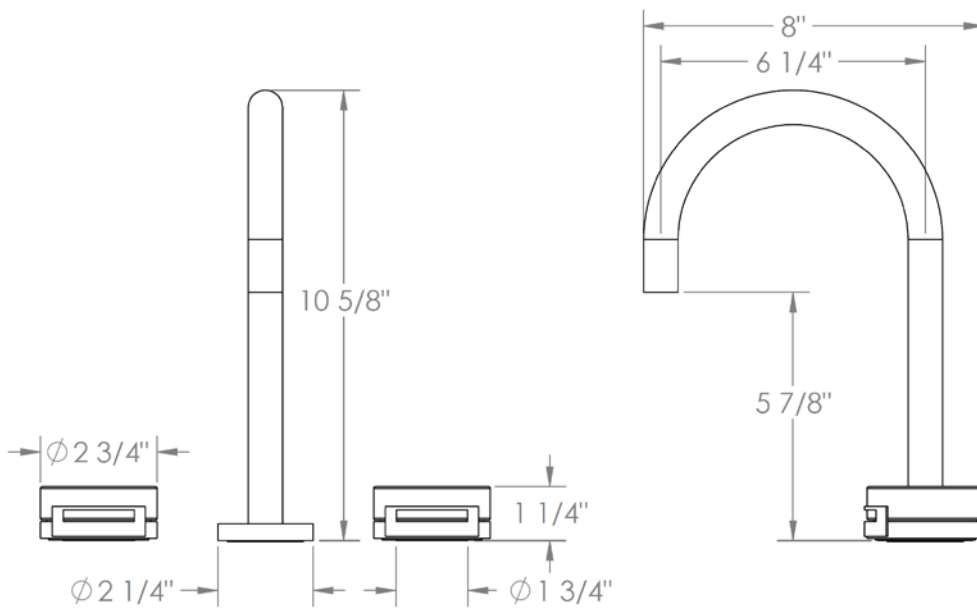


**21-2-E1**

Deck Mounted 3 Hole Lavatory Set

Flow Rate: 1.2 GPM

Includes MPU5 Soft-Touch Drain



Meets the applicable requirements of ASME A112.18.1-2005/CSA B125.1-05, entitled "Plumbing Supply Fittings"

**WATERMARK DESIGNS 5/29/2018**

350 Dewitt Ave Brooklyn NY 11207 USA T 718 257 2800 F 718 257 2144 info@watermark-designs.com