

312-8.3STP-X

Floor Standing Bath Set with Hand Shower and Shut-Off Valves

Hand Shower Flow Rate: 1.75 GPM

Note: Some building codes may require a remote pressure balancing valve, such as the SS-PB50



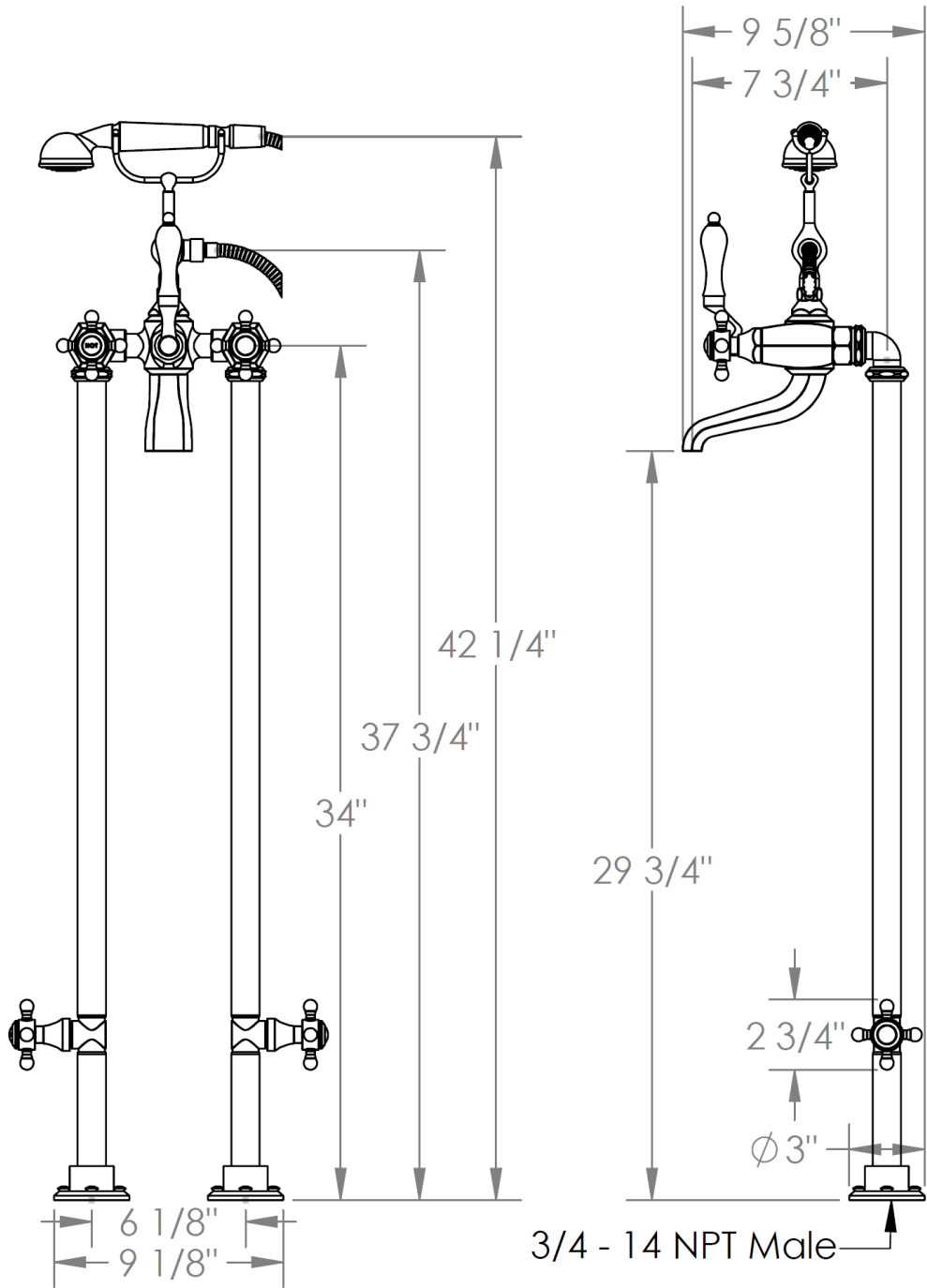
Meets the applicable requirements of ASME A112.18.1-2005/CSA B125.1-05, entitled "Plumbing Supply Fittings"

312-8.3STP-X

Floor Standing Bath Set with Hand Shower and Shut-Off Valves

Hand Shower Flow Rate: 1.75 GPM

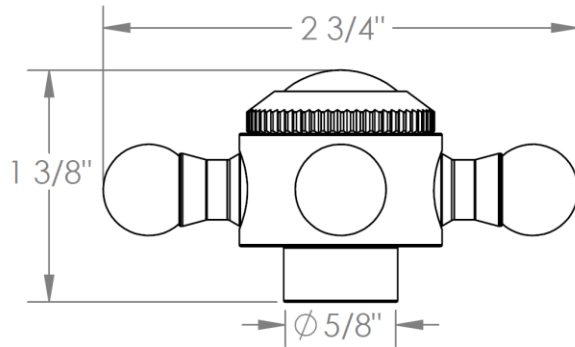
Note: Some building codes may require a remote pressure balancing valve, such as the SS-PB50



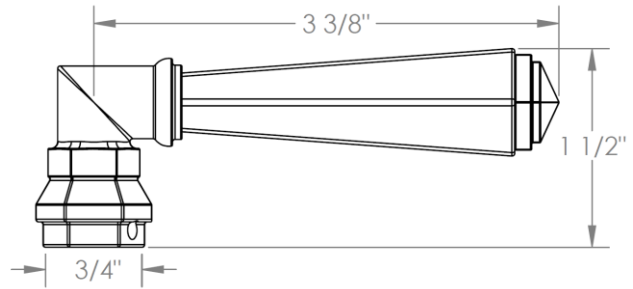
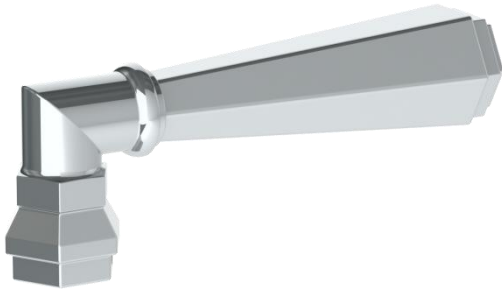
Meets the applicable requirements of ASME A112.18.1-2005/CSA B125.1-05, entitled "Plumbing Supply Fittings"

Gramercy Handle Options

X – OXFORD & V – WALES



Y – LYONS



Y2 – WILLIAMS

