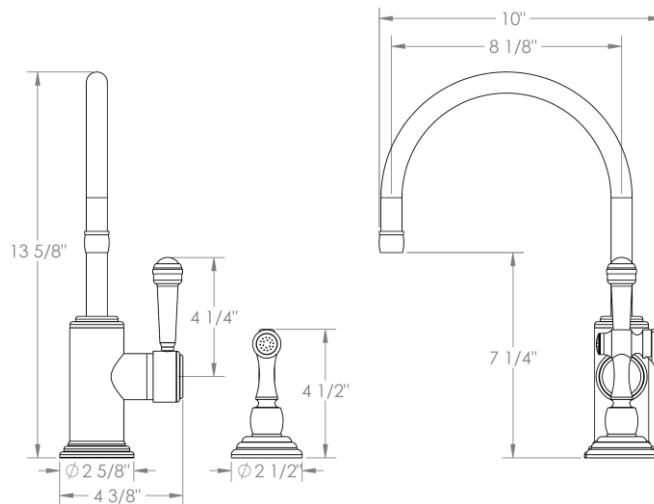


321-7.4-

Deck Mounted 2 Hole Kitchen Set – Includes Side Spray
Faucet Flow Rate: 1.75 GPM



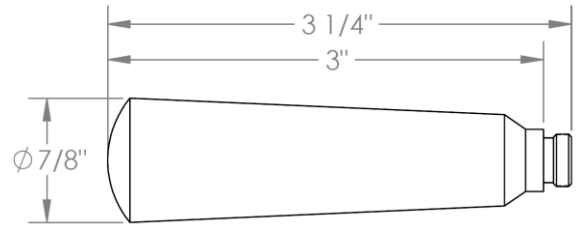
Meets the applicable requirements of ASME A112.18.1-2005/CSA B125.1-05, entitled "Plumbing Supply Fittings"

WATERMARK DESIGNS

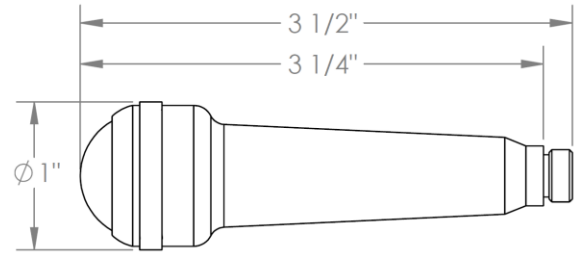
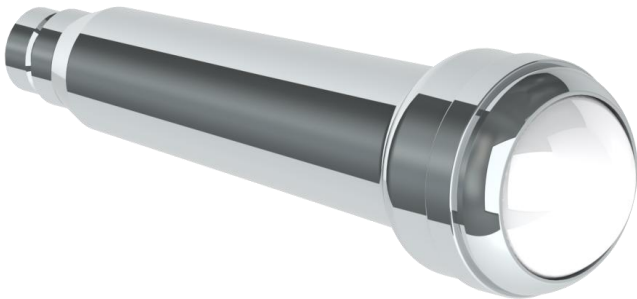
4/12/2019

HANDLE TRIM OPTIONS

S1A - NOTTINGHAM



S2 - WALTHAM



SWA - DARIEN

