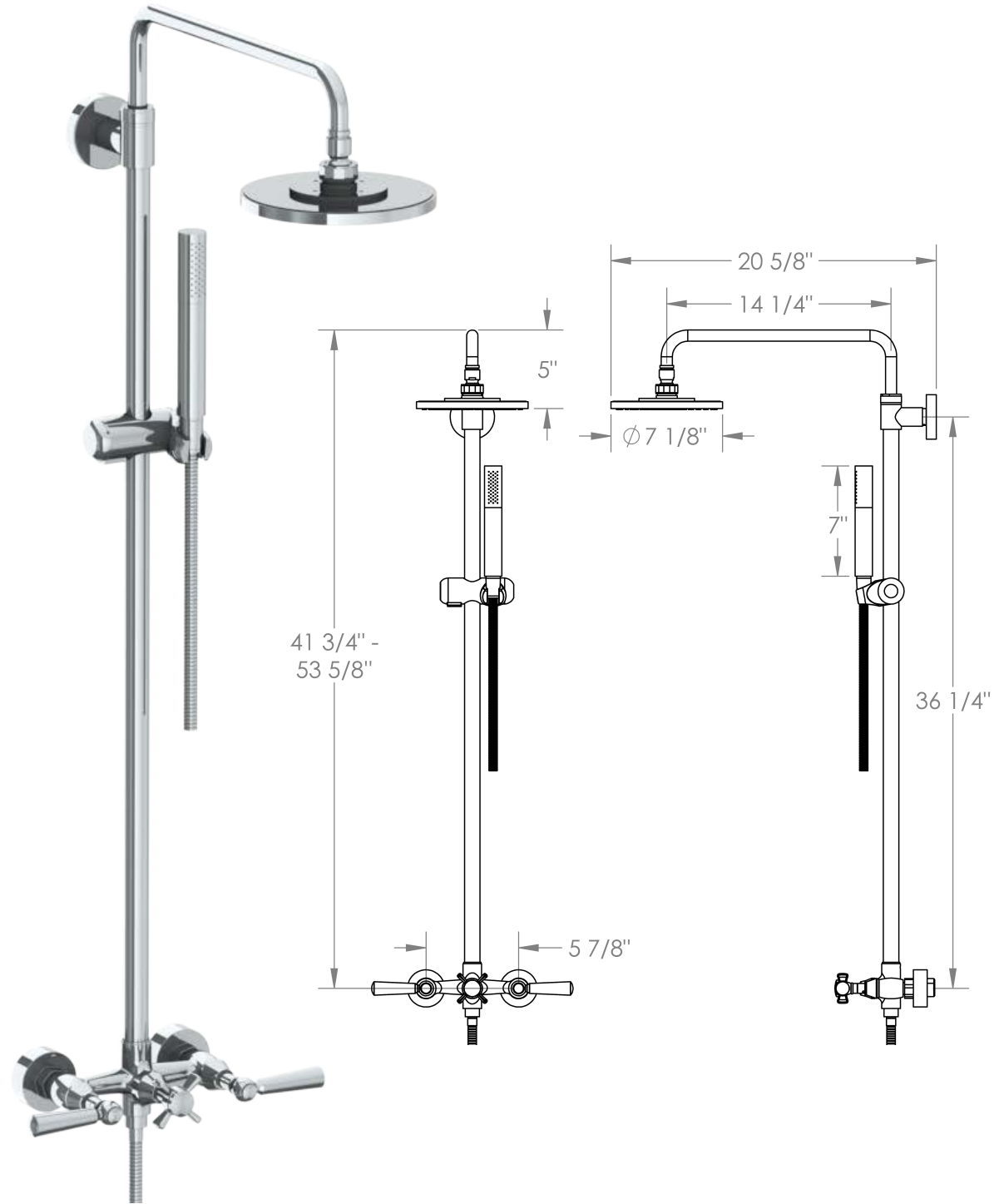


34-6.1HS-S1A

Wall Mounted Exposed Shower Set with Hand Shower

Flow Rates: 1.75 GPM

Note: Some building codes require remote pressure balance valves for anti-scald



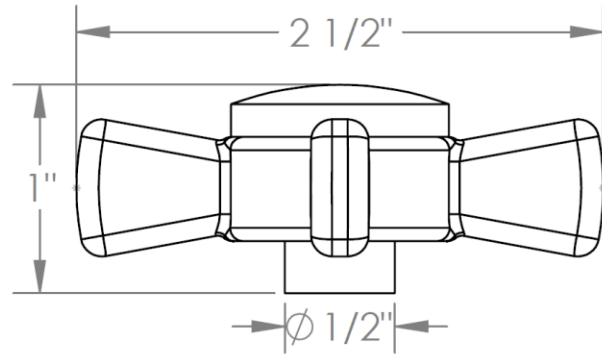
Meets the applicable requirements of ASME A112.18.1-2005/CSA B125.1-05, entitled "Plumbing Supply Fittings"

WATERMARK DESIGNS 2/5/2018

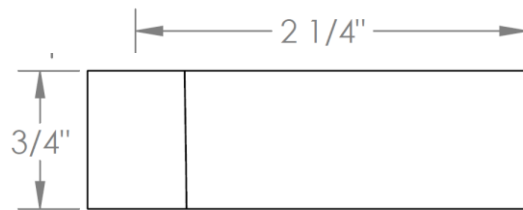
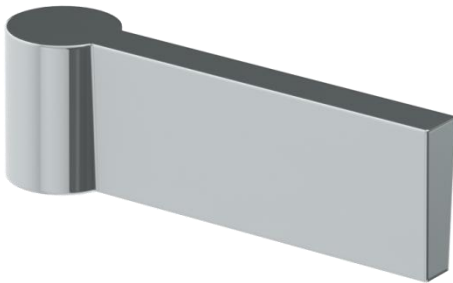
350 Dewitt Ave Brooklyn NY 11207 USA T 718 257 2800 F 718 257 2144 info@watermark-designs.com

Haley Handle Options

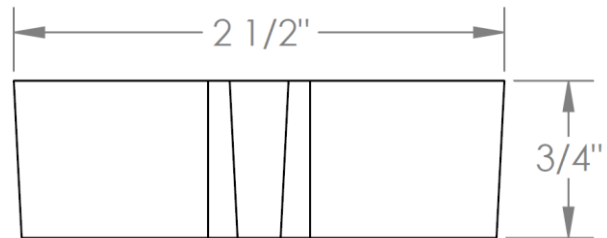
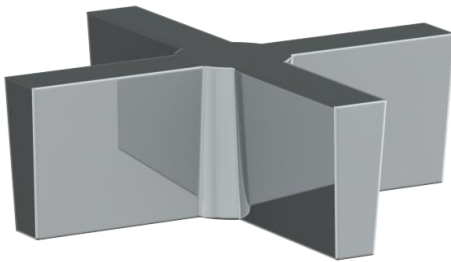
B9M – SISTINA



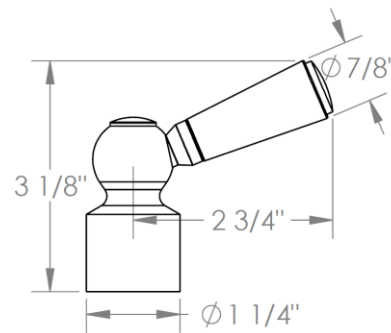
DD2 – ASTAIRE



DD3 – GARBO



H4 – HARMONIE

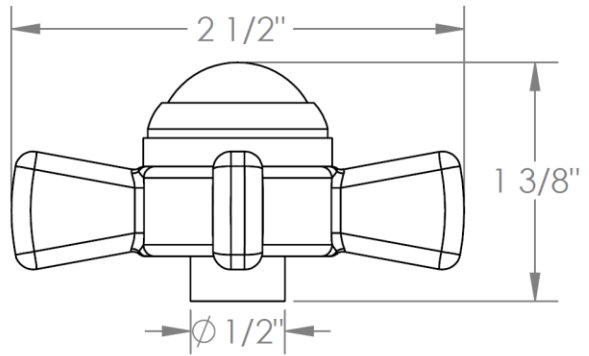


WATERMARK DESIGNS 8/29/2018

350 Dewitt Ave Brooklyn NY 11207 USA T 718 257 2800 F 718 257 2144 info@watermark-designs.com

Haley Handle Options

S1 – PRESTON



S1A – NOTTINGHAM

