

**38-3.1FL- - - -EV4**

Floor Mounted Exposed Tub and Shower Set

Shower Flow Rate: 1.75 GPM

Note: Please specify ( H-J, O-R, U-W)

Note: Some building codes may require a remote pressure balance valve for anti-scald, such as the SS-PB50.



Meets the applicable requirements of ASME A112.18.1-2005/CSA B125.1-05, entitled "Plumbing Supply Fittings"

**38-3.1FL- - - -EV4**

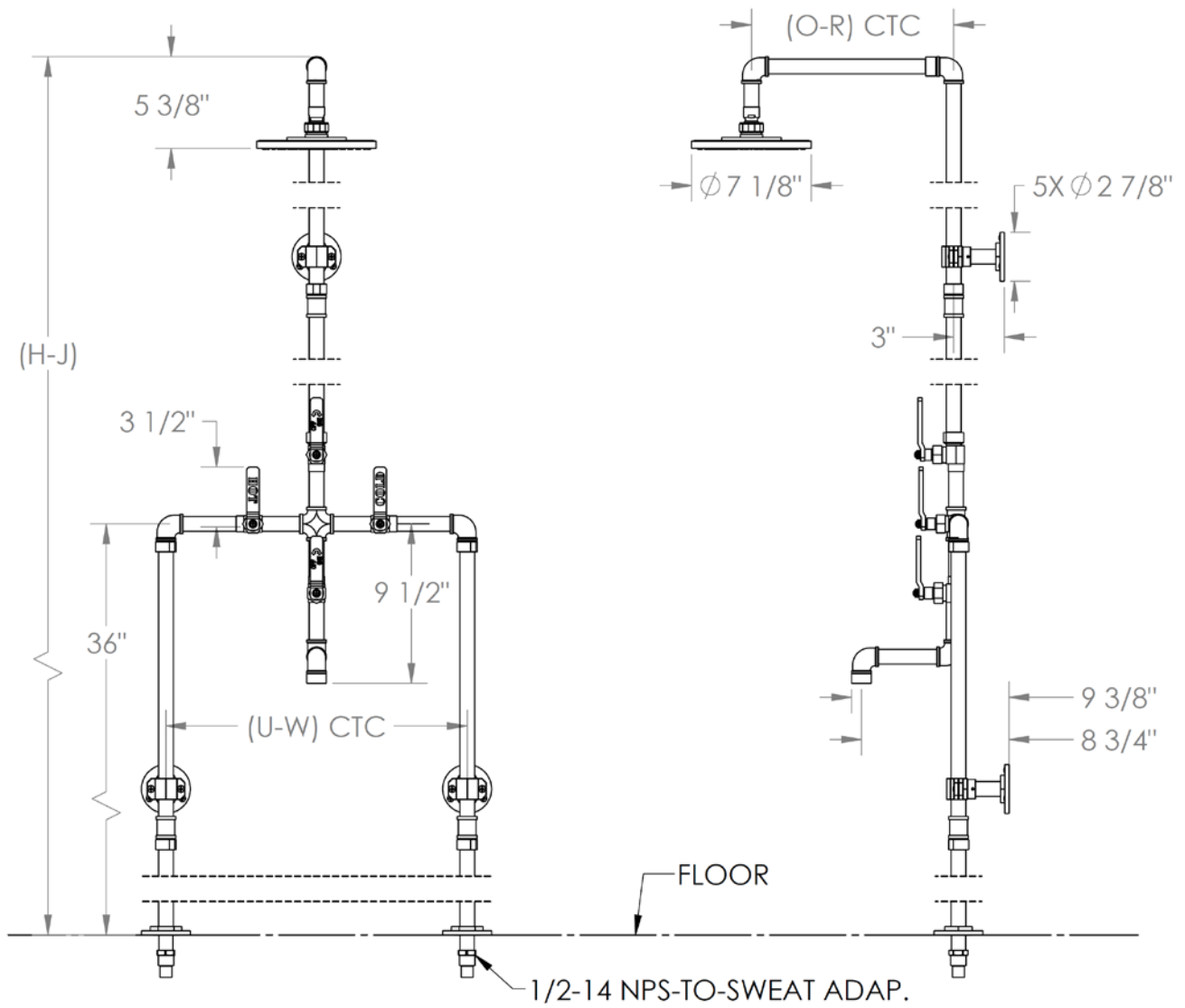
**Floor Mounted Exposed Tub and Shower Set**

Shower Flow Rate: 1.75 GPM

Note: Please specify ( H-J, O-R, U-W)

Note: Some building codes may require a remote pressure balance valve for anti-scald, such as the SS-PB50.

HEIGHT	PROJECTION	MOUNT SPREAD
H = 84"	O = 12"	U = 8"
I = 90"	P = 14"	V = 12"
J = 96"	Q = 16"	W = 18"
-----	R = 18"	-----



Meets the applicable requirements of ASME A112.18.1-2005/CSA B125.1-05, entitled "Plumbing Supply Fittings"