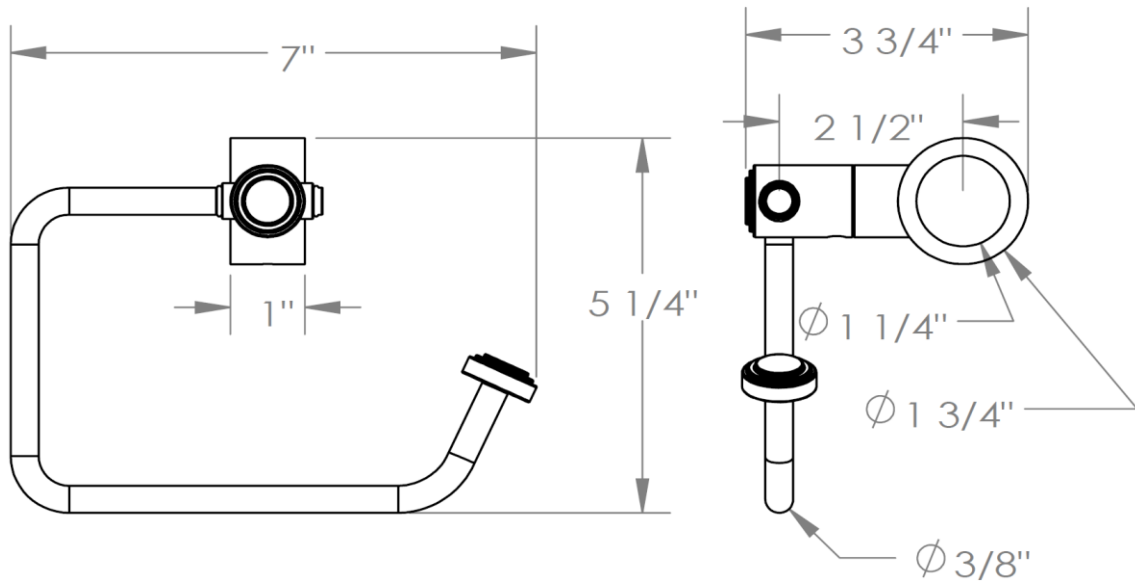


**CON-TRN-0.4**  
Paper Holder



**WATERMARK DESIGNS 2/13/2019**