

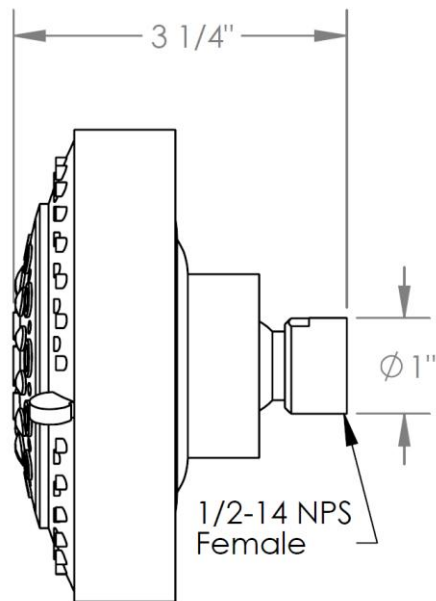
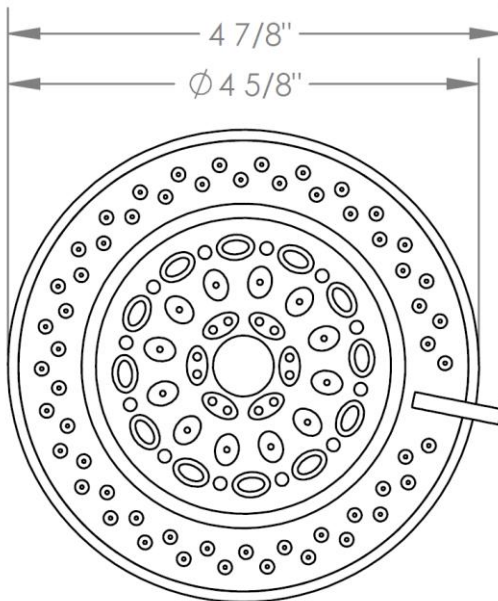
SH-F4

4 Function Antiscale Shower Head

Features Include Massage, Mist, Rain, Rain/Massage and Spray Patterns

Connection Type: 1/2" Female Supply

Flow Rate: 1.75 GPM



Meets the applicable requirements of ASME A112.18.1-2005/CSA B125.1-05, entitled "Plumbing Supply Fittings"

WATERMARK DESIGNS 9/5/2018

350 Dewitt Ave Brooklyn NY 11207 USA T 718 257 2800 F 718 257 2144 info@watermark-designs.com