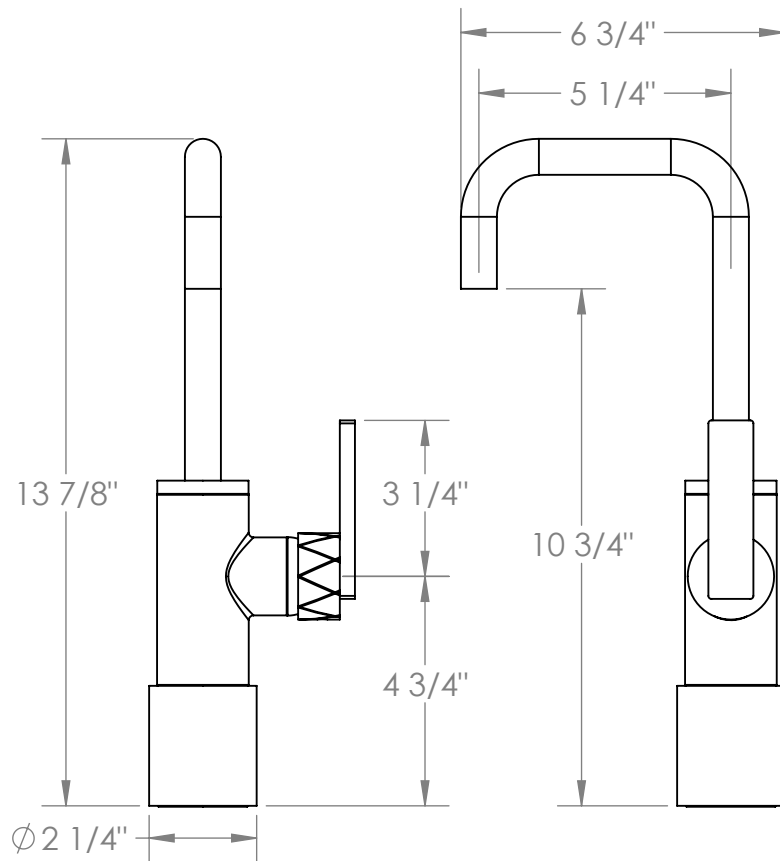


**71-1.1X-LLD4**

Deck Mounted Extended Lavatory Monoblock  
Includes MPU5 Soft Touch Drain with Overflow  
Flow Rate: 1.2 GPM



Meets the applicable requirements of ASME A112.18.1-2005/CSA B125.1-05, entitled "Plumbing Supply Fittings"